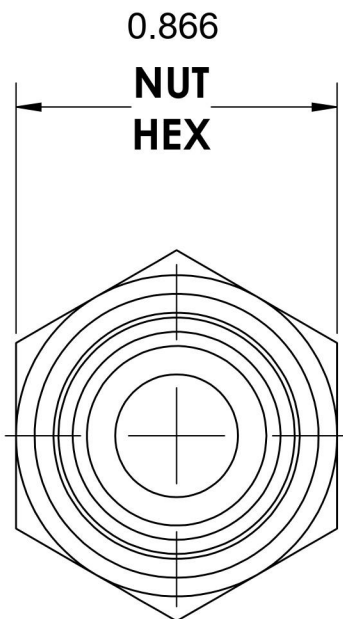
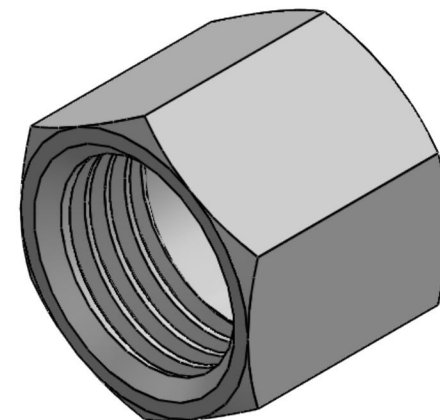
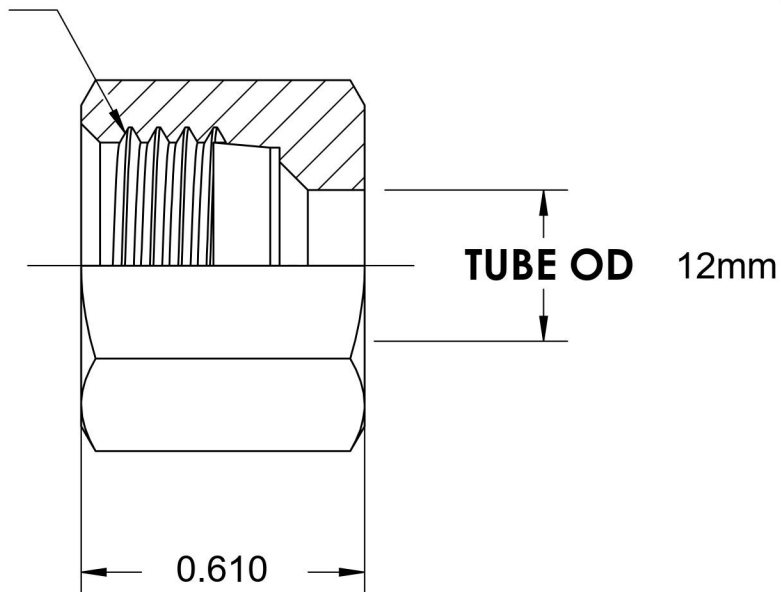


D0318-L12-SS

Stainless Steel, DIN 2353 Tube Nut, Light 12mm Tube OD



M18x1.5



6701 Cochran Road
Solon, Ohio 44139
Phone: (440) 248-1880
Toll Free: 1-888-331-1523

Temperature Rating	Material	Industry Standards DIN 2353, ISO 8434-1	Series D0318
Pressure Rating 5802psi	Finish Passivation		Series Description DIN 2353 Flareless Tube Nut