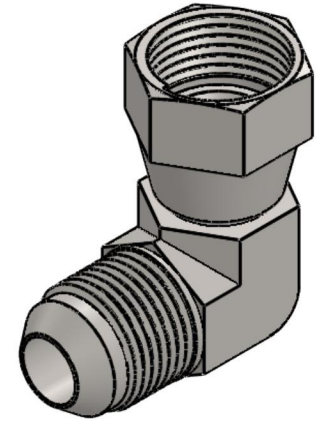
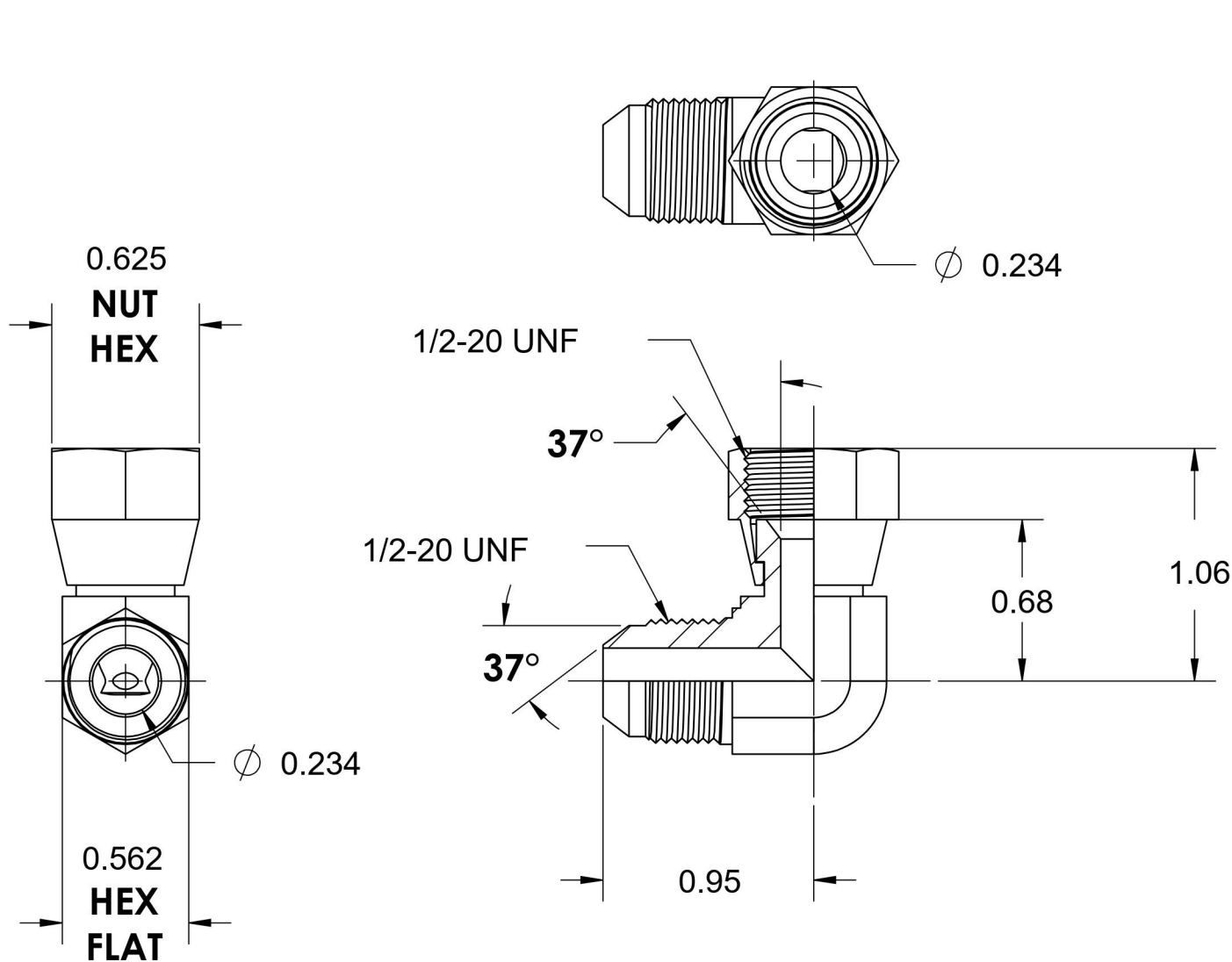


6500-05-05-SS

Stainless Steel, SAE J514 37° Flare 90° Swivel Elbow, 5/16" Male JIC x 5/16" Female JIC Swivel



6701 Cochran Road
Solon, Ohio 44139
Phone: (440) 248-1880
Toll Free: 1-888-331-1523

Temperature Rating

-425°F to 1200°F

Pressure Rating

6000 psi

Material

316/316L Stainless Steel

Finish

Passivated

Industry Standards

SAE J514

Series

6500-SS

Series Description

SAE J514 37° Flare
90° Swivel Elbow