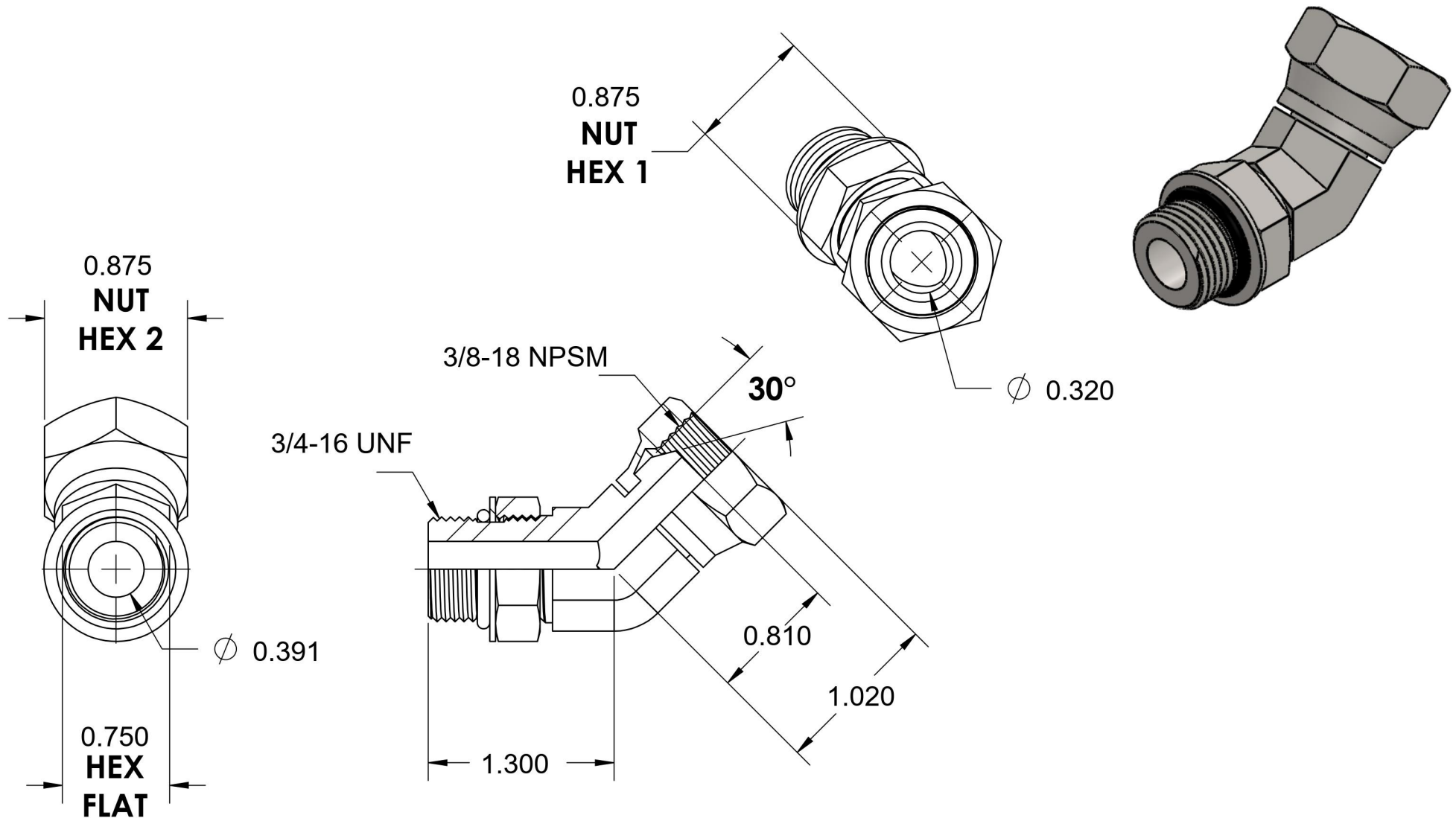


# 6902-08-06-NWO-SS

Stainless Steel, SAE J514 NPSM Swivel 45° Adjustable Port Elbow, 3/4-16 Male Adjustable ORB x 3/8" Female NPSM Swivel



6701 Cochran Road  
Solon, Ohio 44139  
Phone: (440) 248-1880  
Toll Free: 1-888-331-1523

|                           |                          |                                   |  |
|---------------------------|--------------------------|-----------------------------------|--|
| <b>Temperature Rating</b> | <b>Material</b>          | <b>Industry Standards</b>         | <b>Series</b>                                  |
| -40°F to 250°F            | 316/316L Stainless Steel | SAE J514, SAE J1926-3<br>SAE J515 | 6902-NWO-FG                                    |
| <b>Pressure Rating</b>    | <b>Finish</b>            |                                   | <b>Series Description</b>                      |
| 6000psi                   | Passivation              |                                   | SAE J514 NPSM Swivel 45° Adjustable Port Elbow |