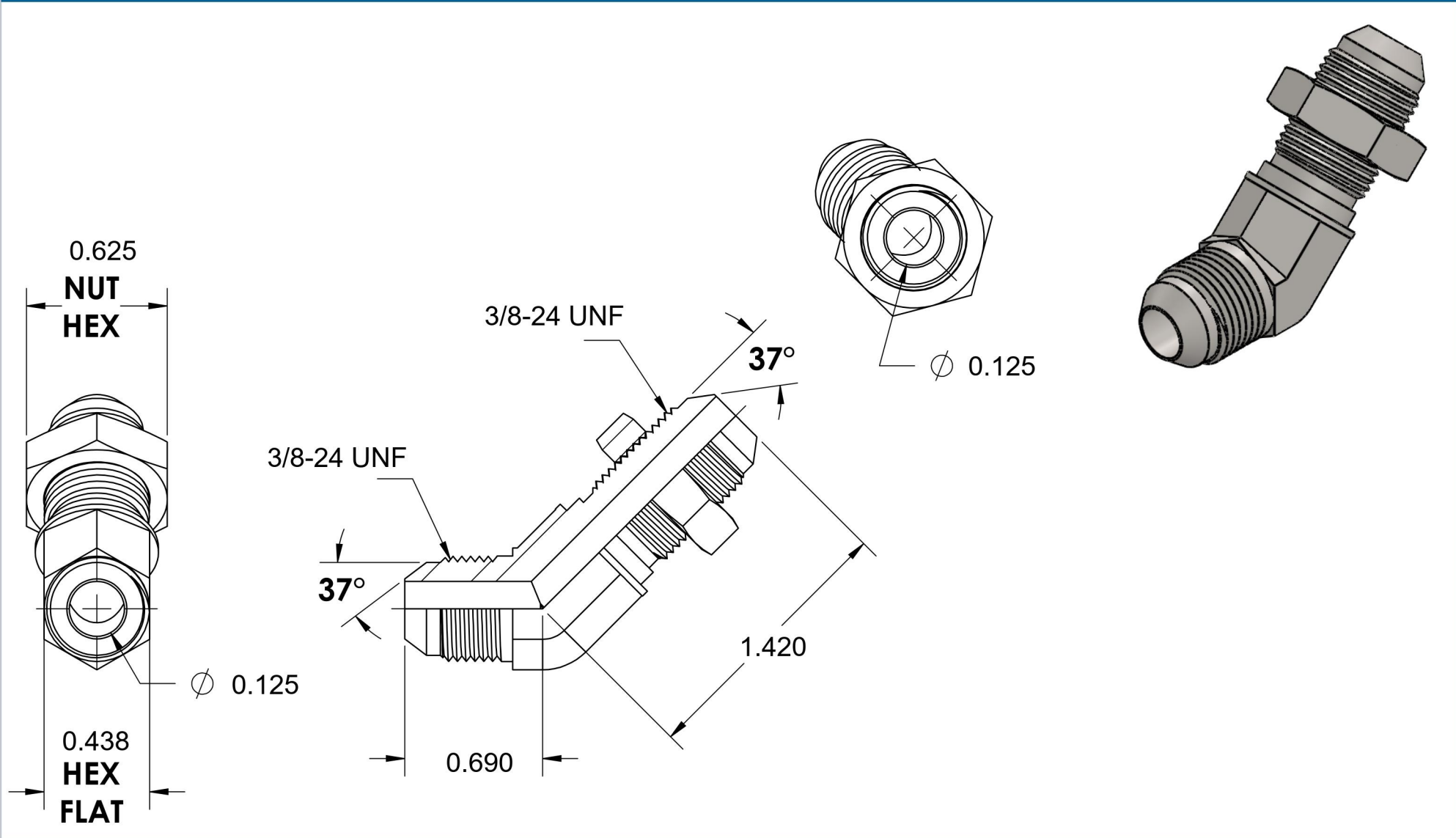


2702-LN-03-03-SS

Stainless Steel, SAE J514 37° Flare Bulkhead 45° Elbow With Lock Nut, 3/16" Male JIC x 3/16" Male JIC



6701 Cochran Road
Solon, Ohio 44139
Phone: (440) 248-1880
Toll Free: 1-888-331-1523

Temperature Rating	-425°F to 1200°F	Material	316/316L Stainless	Industry Standards	SAE J514	Series	2702-LN-FG
Pressure Rating	7700 psi	Finish	Passivation			Series Description	SAE J514 37° Flare Bulkhead 45° Elbow With Lock Nut