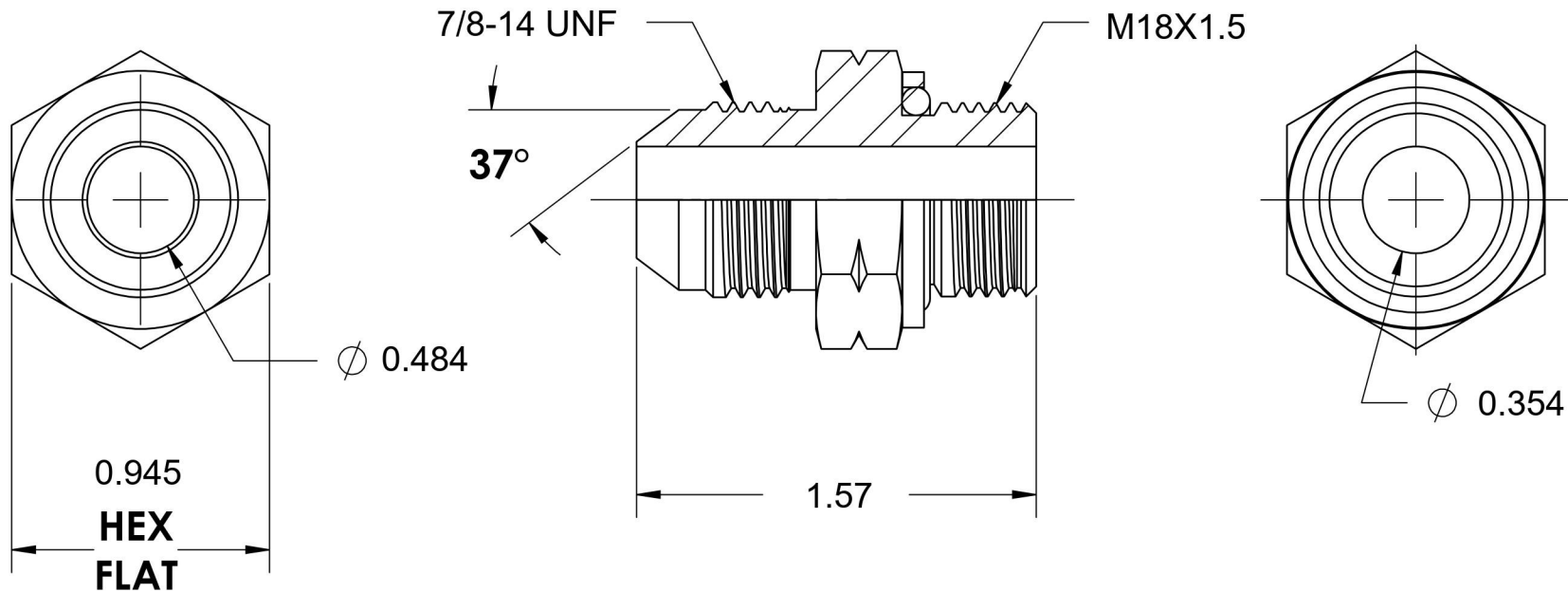


# 7001-10-18-SS

Stainless Steel, SAE J514 37° Flare Male Metric Type (G) Port Adapter, 5/8" Male JIC x M18X1.5 Male Metric ORR



6701 Cochran Road  
Solon, Ohio 44139  
Phone: (440) 248-1880  
Toll Free: 1-888-331-1523

<b>Temperature Rating</b>	<b>Material</b>	<b>Industry Standards</b>	<b>Series</b>
-22°F to 257°F	316/316L Stainless Steel	SAE J514, ISO 9974	7001-ORR-SS
<b>Pressure Rating</b>	<b>Finish</b>		<b>Series Description</b>
3600 psi	Passivated		SAE J514 37° Flare Male Metric Type (G) Port Adapter