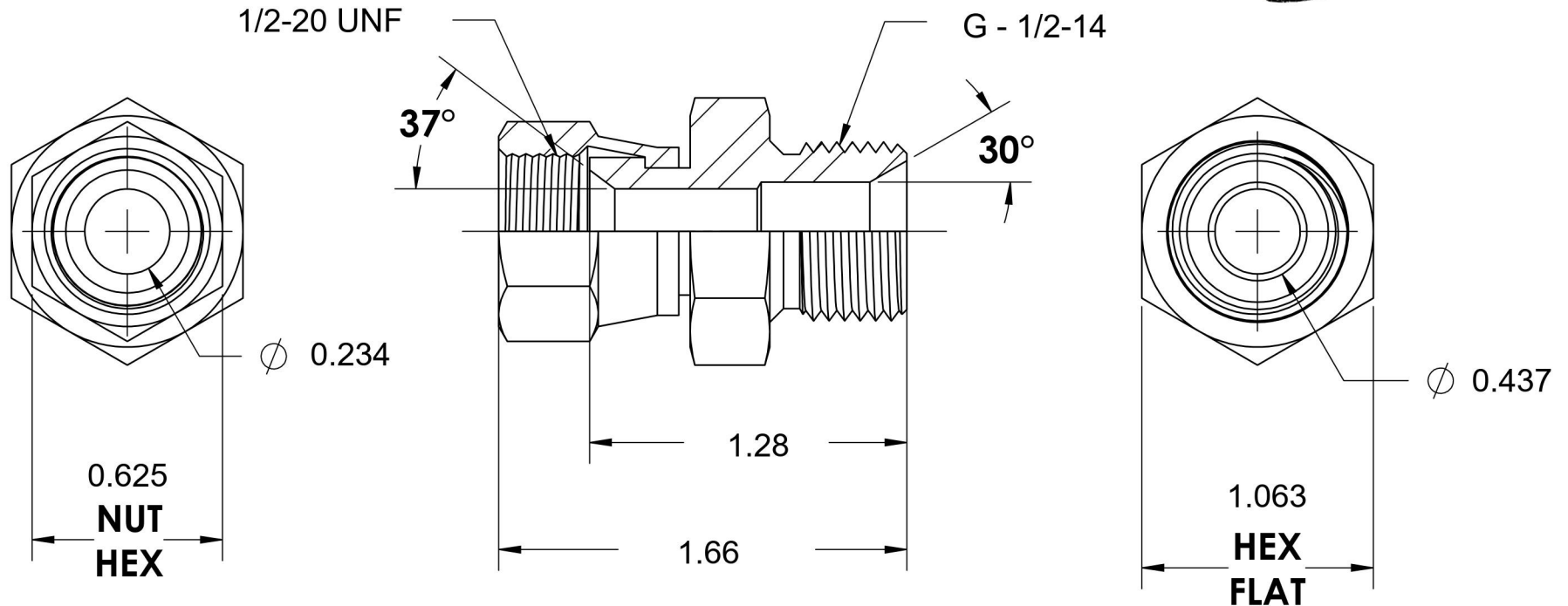
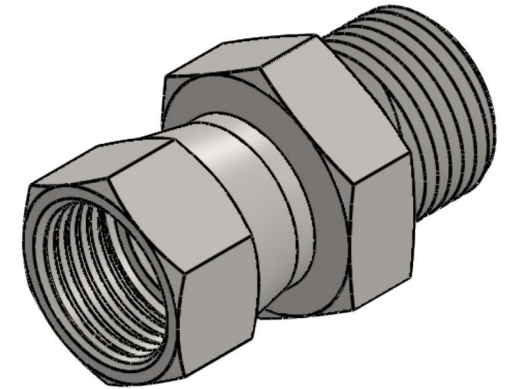


7022-05-08

Steel, SAE J514 37° Flare Swivel Male BSPB Port/Line Connector, 5/16" Female JIC Swivel x 1/2-14 Male BSPB 60° Line/Port



6701 Cochran Road
Solon, Ohio 44139
Phone: (440) 248-1880
Toll Free: 1-888-331-1523

Temperature Rating	Material	Industry Standards	Series
-65°F to 500°F	C1045 / 12L14 Steel	SAE J514, ISO 1179	7022
Pressure Rating	Finish	ISO 8434-6, ASTM B633	Series Description
2900 psi	Trivalent Zinc		SAE J514 37° Flare Swivel Male BSPB Port/Line Connector