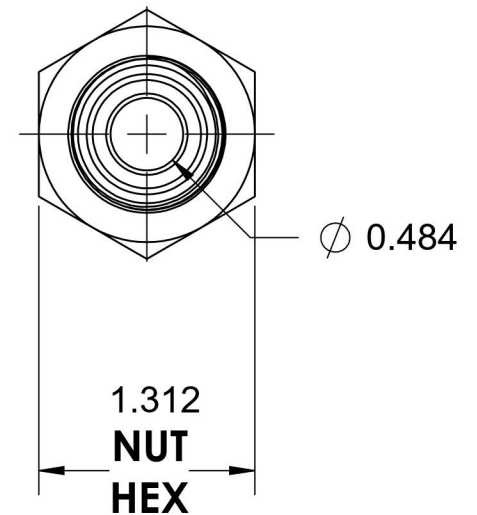
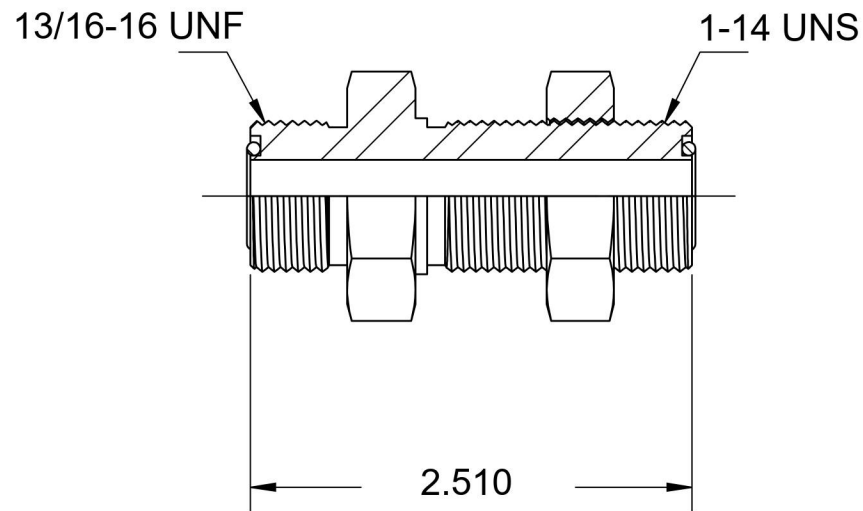
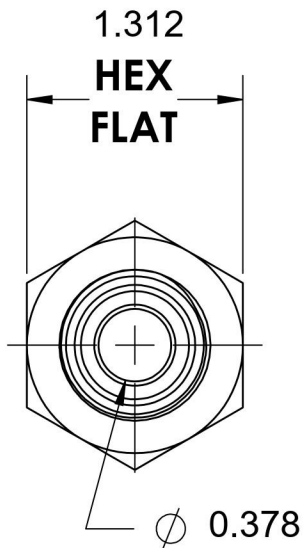
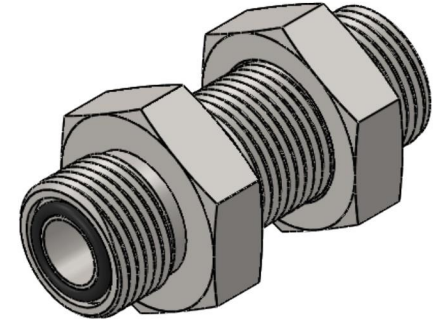


# FS2700-LN-08-10

Steel, SAE J1453 O-Ring Face Seal Bulkhead With Lock Nut, 1/2" Male ORFS x 5/8" Male ORFS



6701 Cochran Road  
Solon, Ohio 44139  
Phone: (440) 248-1880  
Toll Free: 1-888-331-1523

**Temperature Rating**

-40°F to 250°F

**Pressure Rating**

6000 psi

**Material**

C1045/12L14 Steel

**Finish**

Trivalent Zinc

**Industry Standards**

SAE J1453, SAE J515  
ASTM B633

**Series**

**FS2700-LN**

**Series Description**

SAE J1453 O-Ring Face Seal  
Bulkhead With Lock Nut