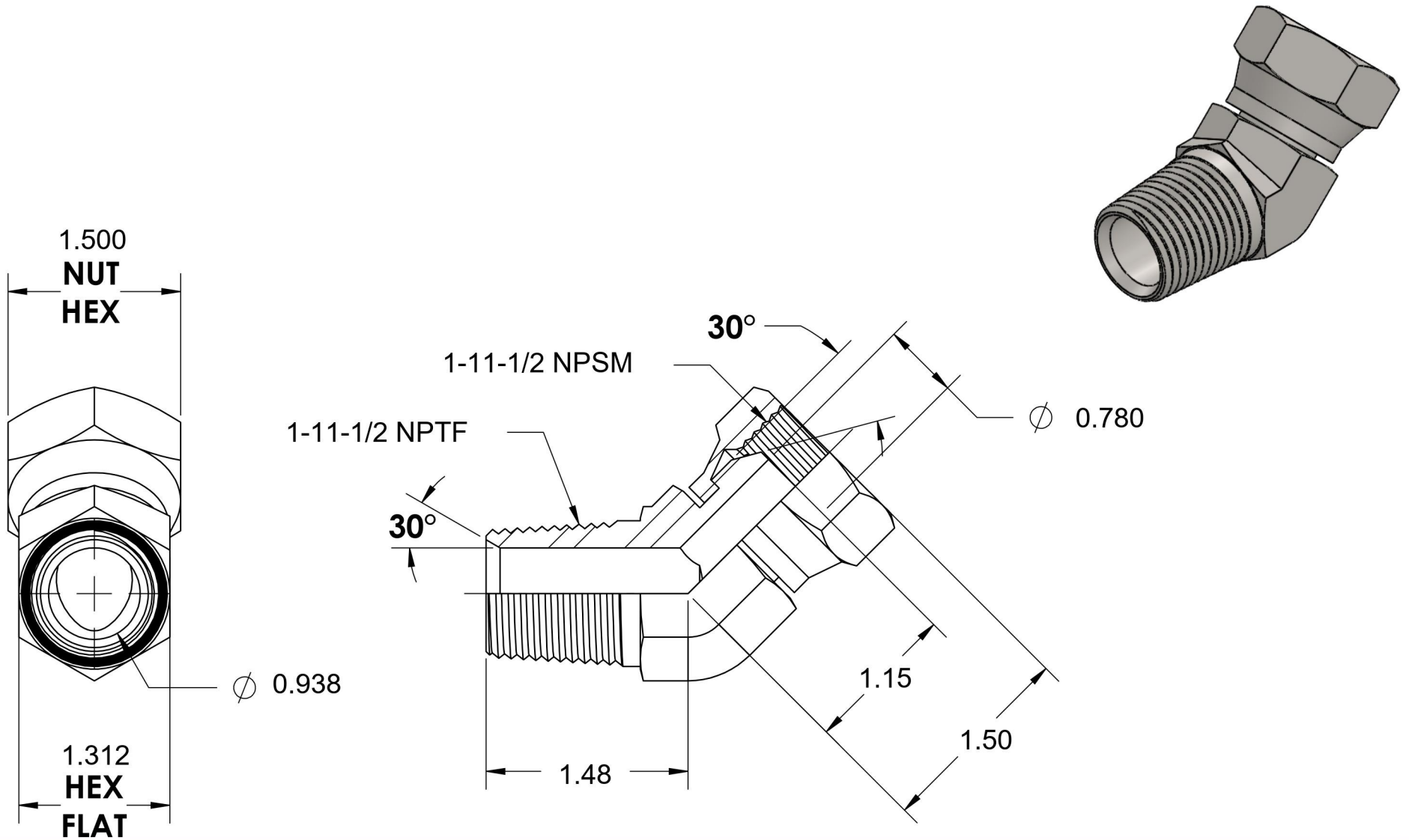


1503-16-16-SS

Stainless Steel, SAE J514 NPSM Swivel 45° Male Elbow, 1" Male NPTF 30° x 1" Female NPSM Swivel



6701 Cochran Road
Solon, Ohio 44139
Phone: (440) 248-1880
Toll Free: 1-888-331-1523

Temperature Rating	Material	Industry Standards	Series
-425°F to 1200°F	316/316L Stainless Steel	SAE J514, SAE J476	1503-SS
Pressure Rating	Finish		Series Description
2500 psi	Passivated		SAE J514 NPSM Swivel 45° Male Elbow