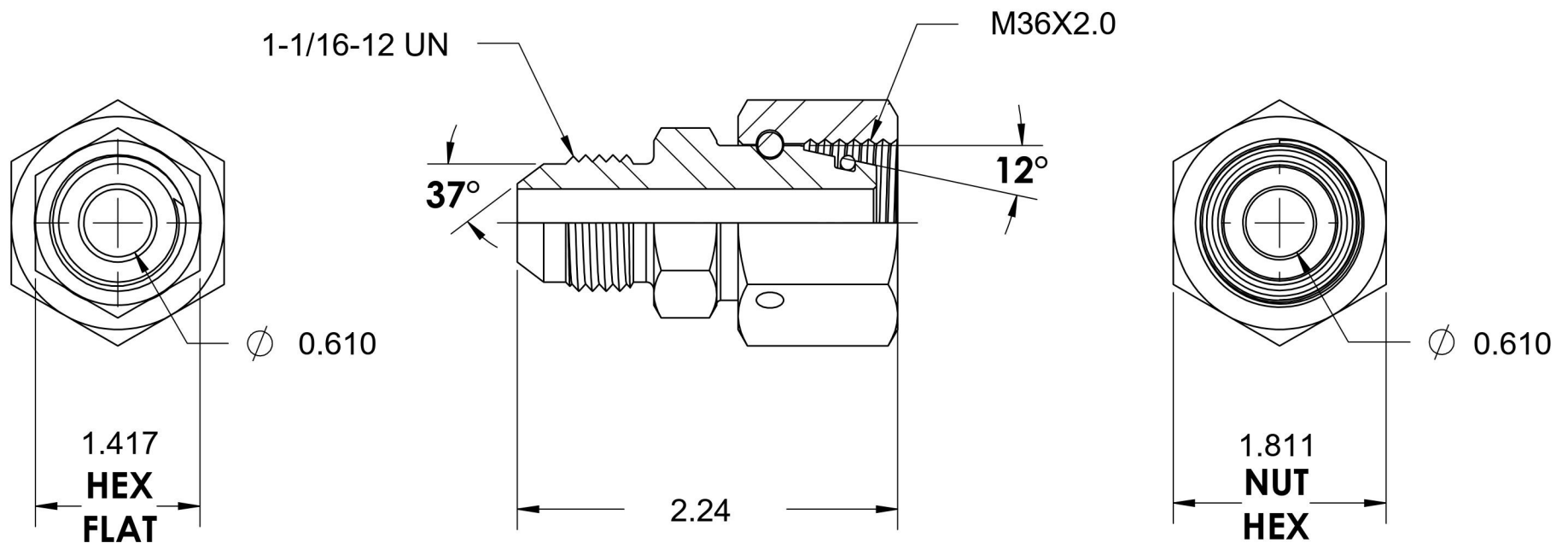


# 7007-12-S25-36-SS

Stainless Steel, SAE J514 37° Flare DIN (S) Swivel Adapter, 3/4" Male JIC x M36X2.0 Female DKO Swivel



6701 Cochran Road  
Solon, Ohio 44139  
Phone: (440) 248-1880  
Toll Free: 1-888-331-1523

**Temperature Rating**

-40°F to 250°F

**Pressure Rating**

4500 psi

**Material**

316/316L Stainless Steel

**Finish**

Passivated

**Industry Standards**

SAE J514, ISO 8434-1

DIN 2353

**Series**

7007-DIN HEAVY-SS

**Series Description**

SAE J514 37° Flare  
DIN (S) Swivel Adapter