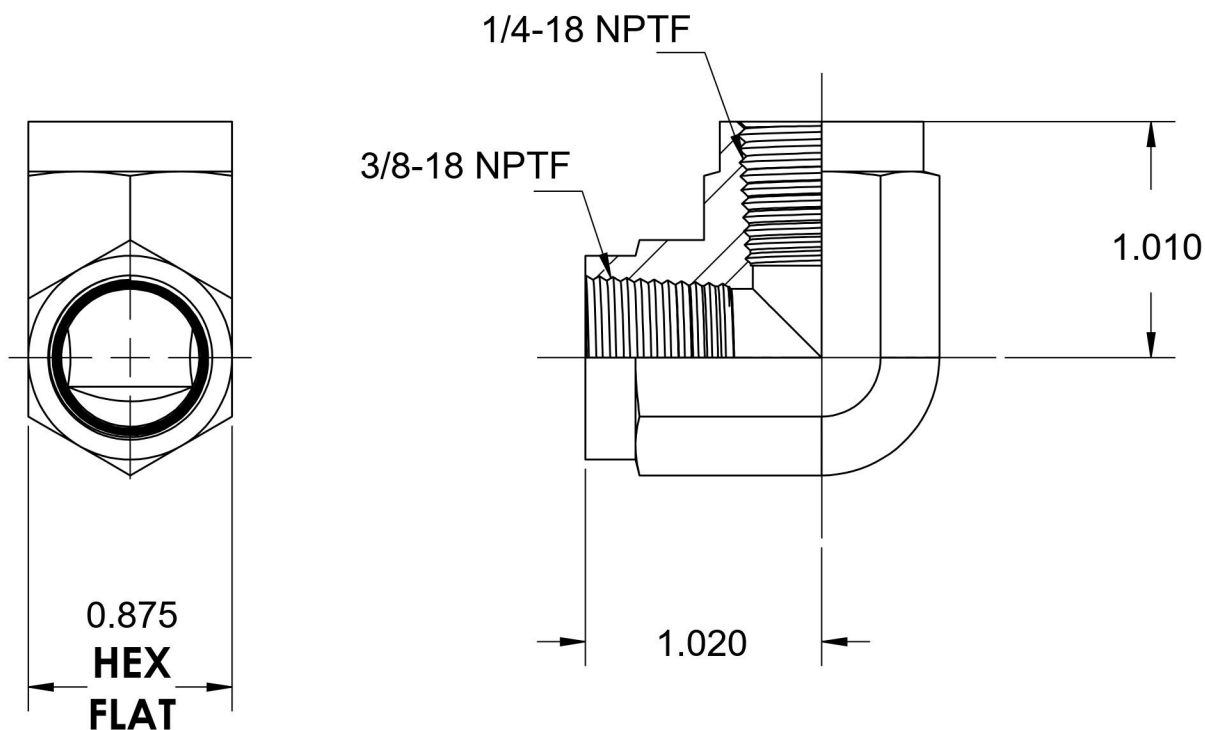
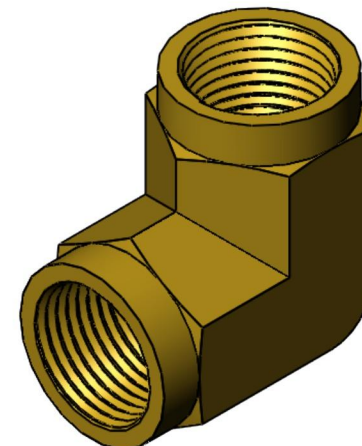


5504-06-04-FG-B

Brass, SAE J514 Pipe 90° Female Elbow, 3/8" Female NPTF x 1/4" Female NPTF



6701 Cochran Road
Solon, Ohio 44139
Phone: (440) 248-1880
Toll Free: 1-888-331-1523

Temperature Rating

-325°F to 400°F

Pressure Rating

3200 psi

Material

CA37700 Brass

Finish

Natural Finish

Industry Standards

SAE J514, SAE J476

Series

5504-B

Series Description

SAE J514 Pipe 90° Female Elbow