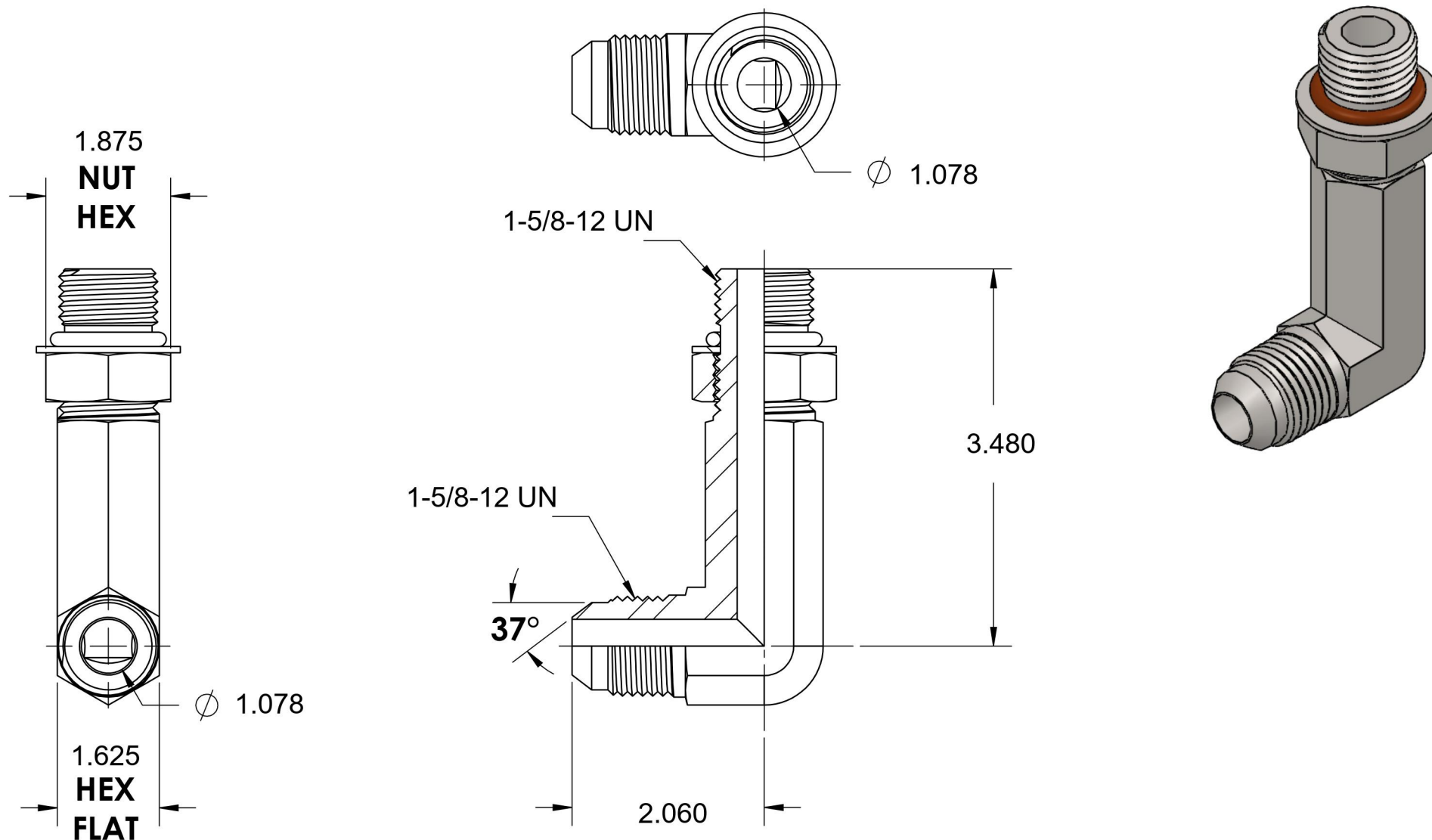


# 6801-L-20-20-NWO-FG-VITON

Steel, SAE J514 37° Flare 90° Long Adjustable Port Elbow, 1-1/4" Male JIC x 1-5/8-12 Male Adjustable ORB, FKM Seal



6701 Cochran Road  
Solon, Ohio 44139  
Phone: (440) 248-1880  
Toll Free: 1-888-331-1523

<b>Temperature Rating</b>	<b>Material</b>	<b>Industry Standards</b>	<b>Series</b>
-15°F to 400°F	C1045 Steel	SAE J514, SAE J1926-3 ASTM B633	6801-L-NWO-FG
<b>Pressure Rating</b>	<b>Finish</b>		<b>Series Description</b>
3000psi	Trivalent Zinc		SAE J514 37° Flare 90° Long Adjustable Port Elbow