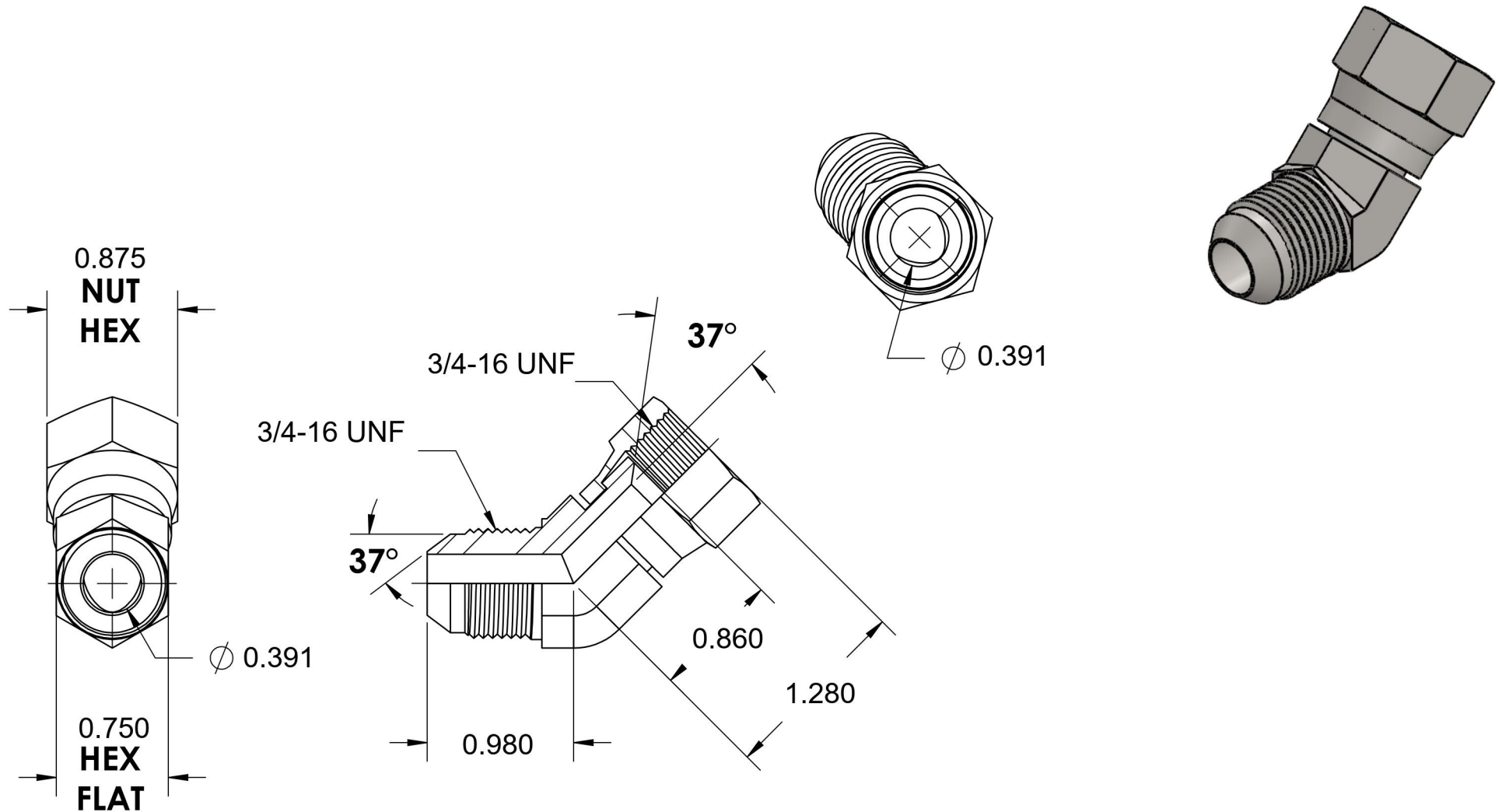


# 6502-08-08-SS

Stainless Steel, SAE J514 37° Flare 45° Swivel Elbow, 1/2" Male JIC x 1/2" Female JIC Swivel



6701 Cochran Road  
Solon, Ohio 44139  
Phone: (440) 248-1880  
Toll Free: 1-888-331-1523

|                    |                          |                    |  |
|--------------------|--------------------------|--------------------|--|
| Temperature Rating | Material                 | Industry Standards | Series                                 |
| -425°F to 1200°F   | 316/316L Stainless Steel | SAE J514           | 6502-SS                                |
| Pressure Rating    | Finish                   |                    | Series Description                     |
| 6000 psi           | Passivated               |                    | SAE J514 37° Flare<br>45° Swivel Elbow |