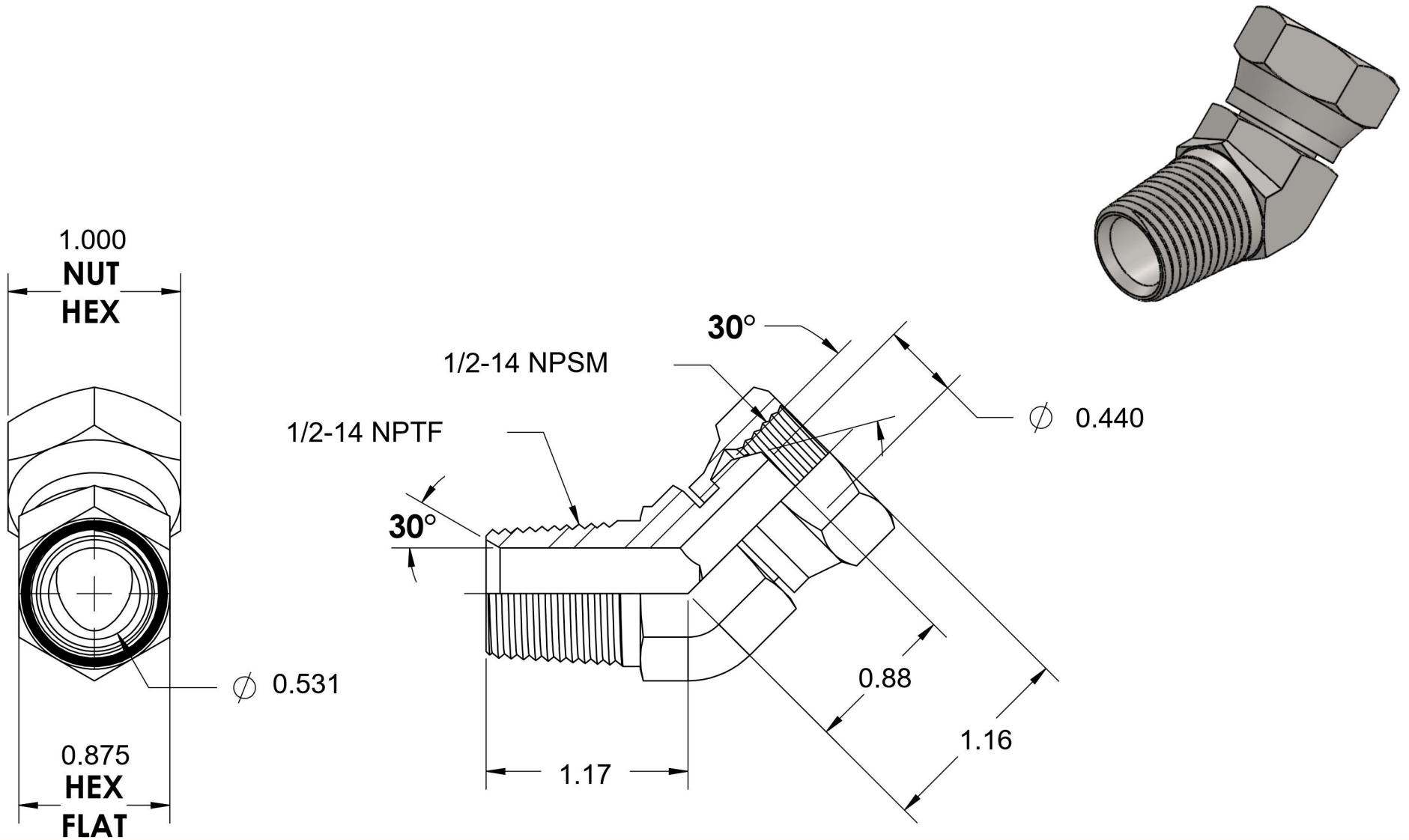


# 1503-08-08-SS

Stainless Steel, SAE J514 NPSM Swivel 45° Male Elbow, 1/2" Male NPTF 30° x 1/2" Female NPSM Swivel



6701 Cochran Road  
Solon, Ohio 44139  
Phone: (440) 248-1880  
Toll Free: 1-888-331-1523

Temperature Rating	Material	Industry Standards	Series
-425°F to 1200°F	316/316L Stainless Steel	SAE J514, SAE J476	1503-SS
Pressure Rating	Finish		Series Description
5000 psi	Passivated		SAE J514 NPSM Swivel 45° Male Elbow