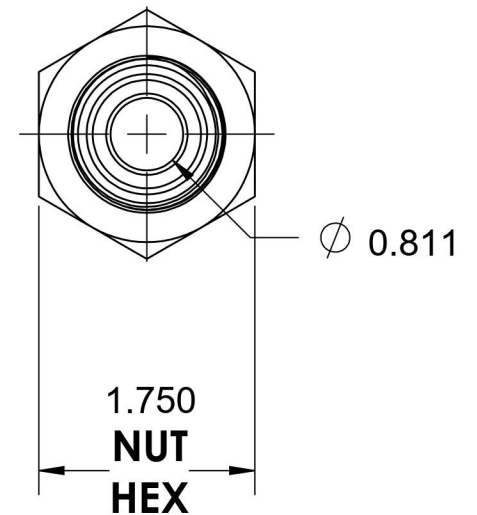
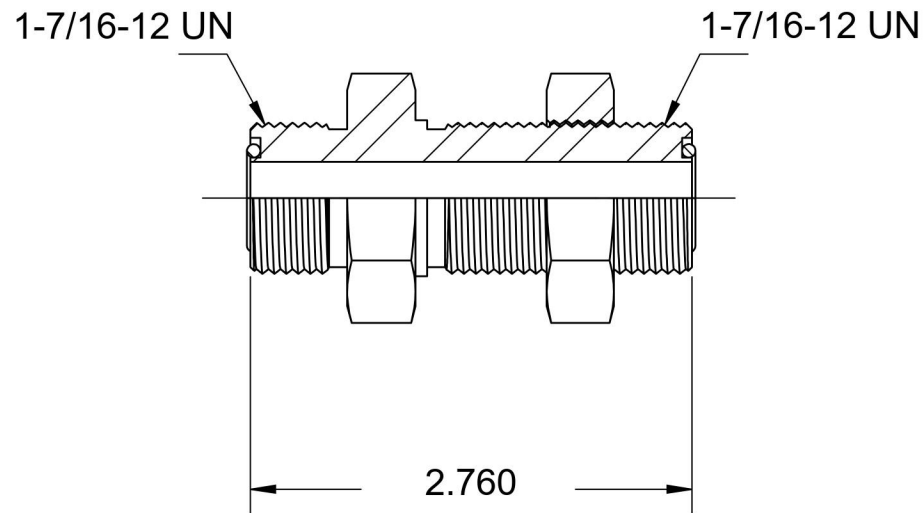
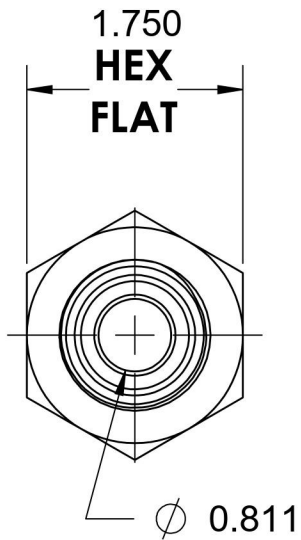
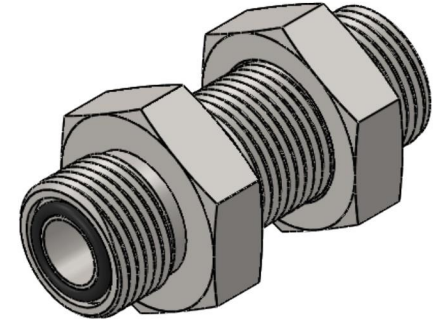


# FS2700-LN-16-16-SS

Stainless Steel, SAE J1453 O-Ring Face Seal Bulkhead With Lock Nut, 1" Male ORFS x 1" Male ORFS



6701 Cochran Road  
Solon, Ohio 44139  
Phone: (440) 248-1880  
Toll Free: 1-888-331-1523

<b>Temperature Rating</b>	<b>Material</b>	<b>Industry Standards</b>	<b>Series</b>
-40°F to 250°F	316/316L Stainless Steel	SAE J1453, SAE J515	FS2700-LN-SS
<b>Pressure Rating</b>	<b>Finish</b>		<b>Series Description</b>
6000 psi	Passivated		SAE J1453 O-Ring Face Seal Bulkhead With Lock Nut