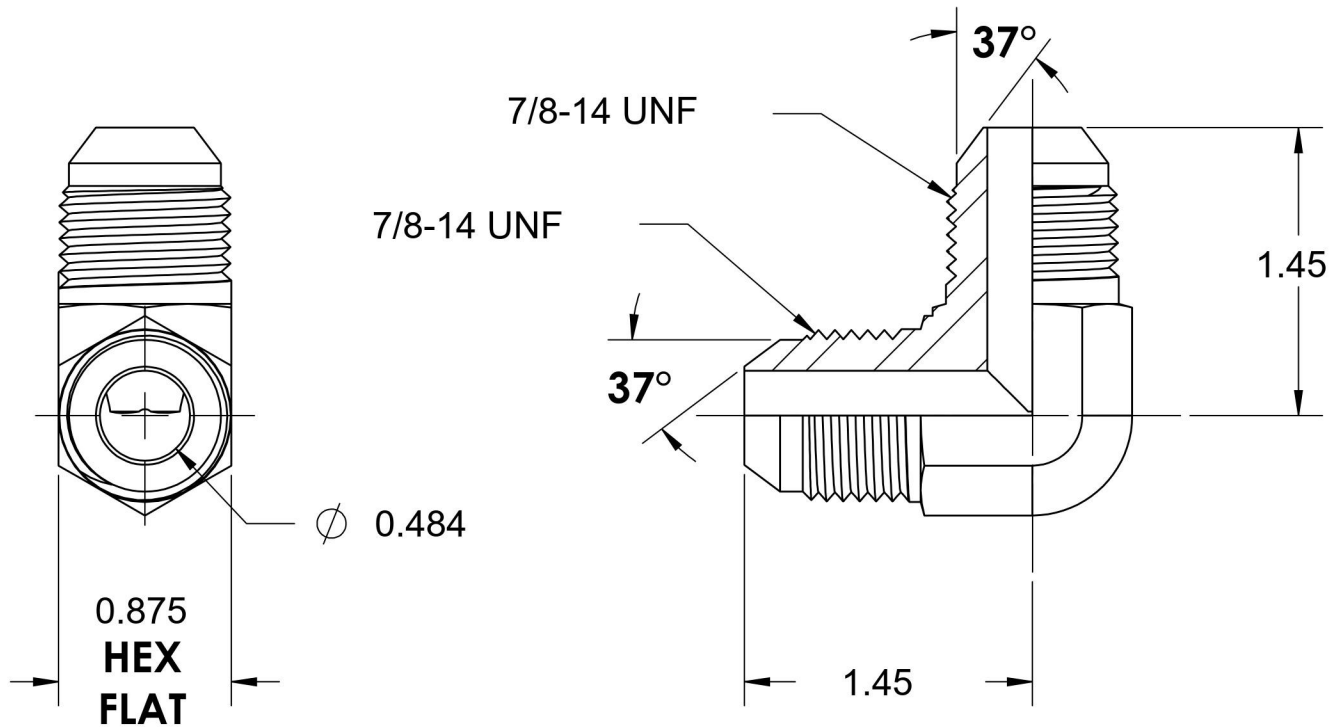
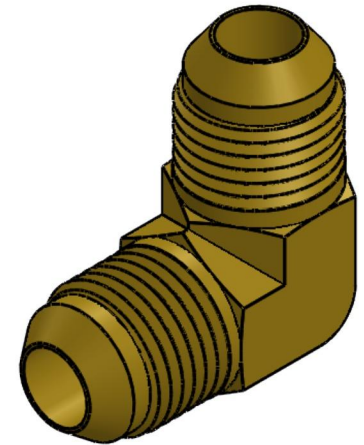
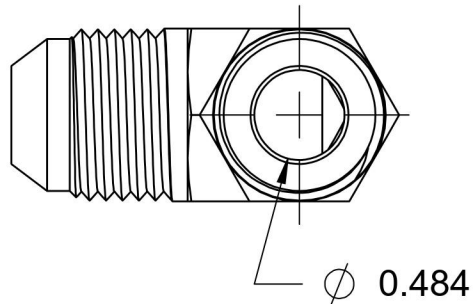


2500-10-10-B

Brass, SAE J514 37° Flare 90° Union Elbow, 5/8" Male JIC x 5/8" Male JIC



6701 Cochran Road
Solon, Ohio 44139
Phone: (440) 248-1880
Toll Free: 1-888-331-1523

Temperature Rating

-325°F to 400°F

Material

CA37700 Brass

Industry Standards

SAE J514

Series

2500-B

Pressure Rating

3300 psi

Finish

Natural Finish

Series Description

SAE J514 37° Flare
90° Union Elbow