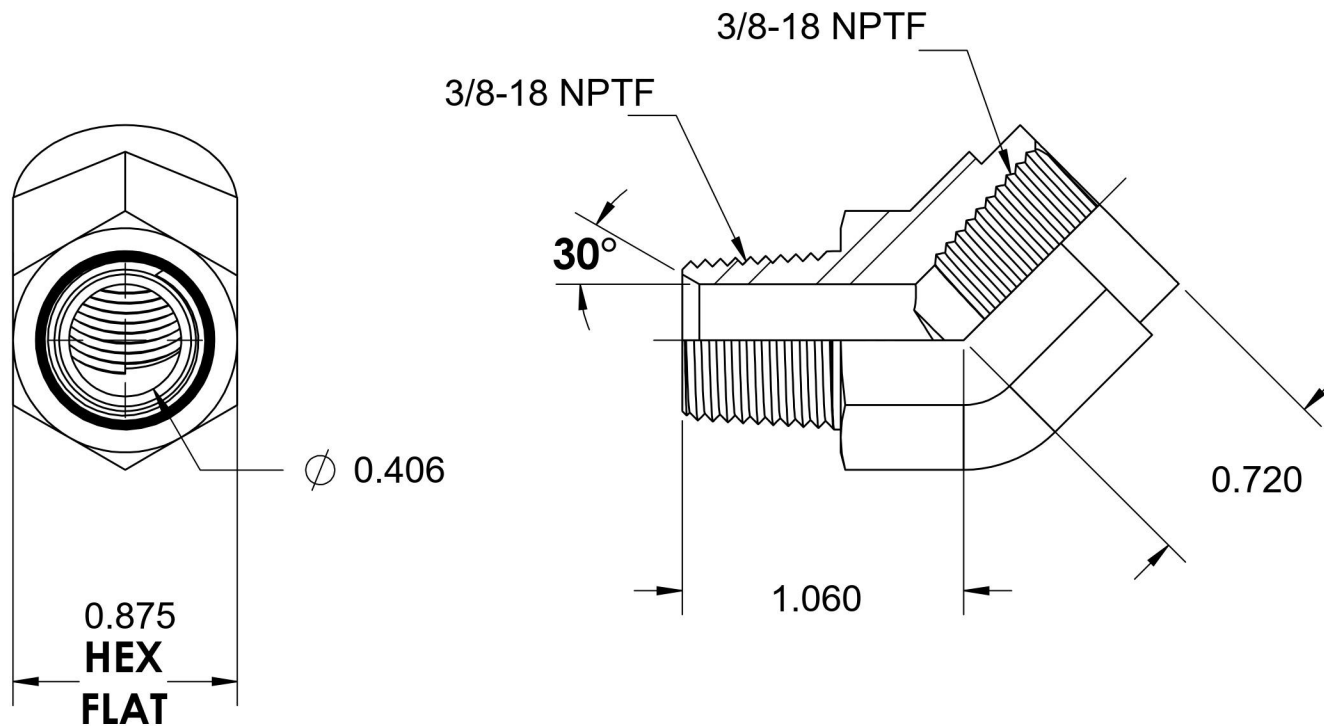
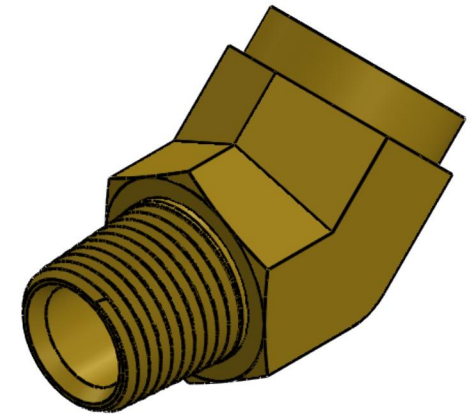


# 5503-06-06-B

Brass, SAE J514 Pipe 45° Street Elbow, 3/8" Male NPTF 30° x 3/8" Female NPTF



6701 Cochran Road  
Solon, Ohio 44139  
Phone: (440) 248-1880  
Toll Free: 1-888-331-1523

Temperature Rating	-325°F to 400°F	Material	CA37700 Brass	Industry Standards	SAE J514, SAE J476	Series	5503-B
Pressure Rating	2900 psi	Finish	Natural Finish			Series Description	SAE J514 Pipe 45° Street Elbow