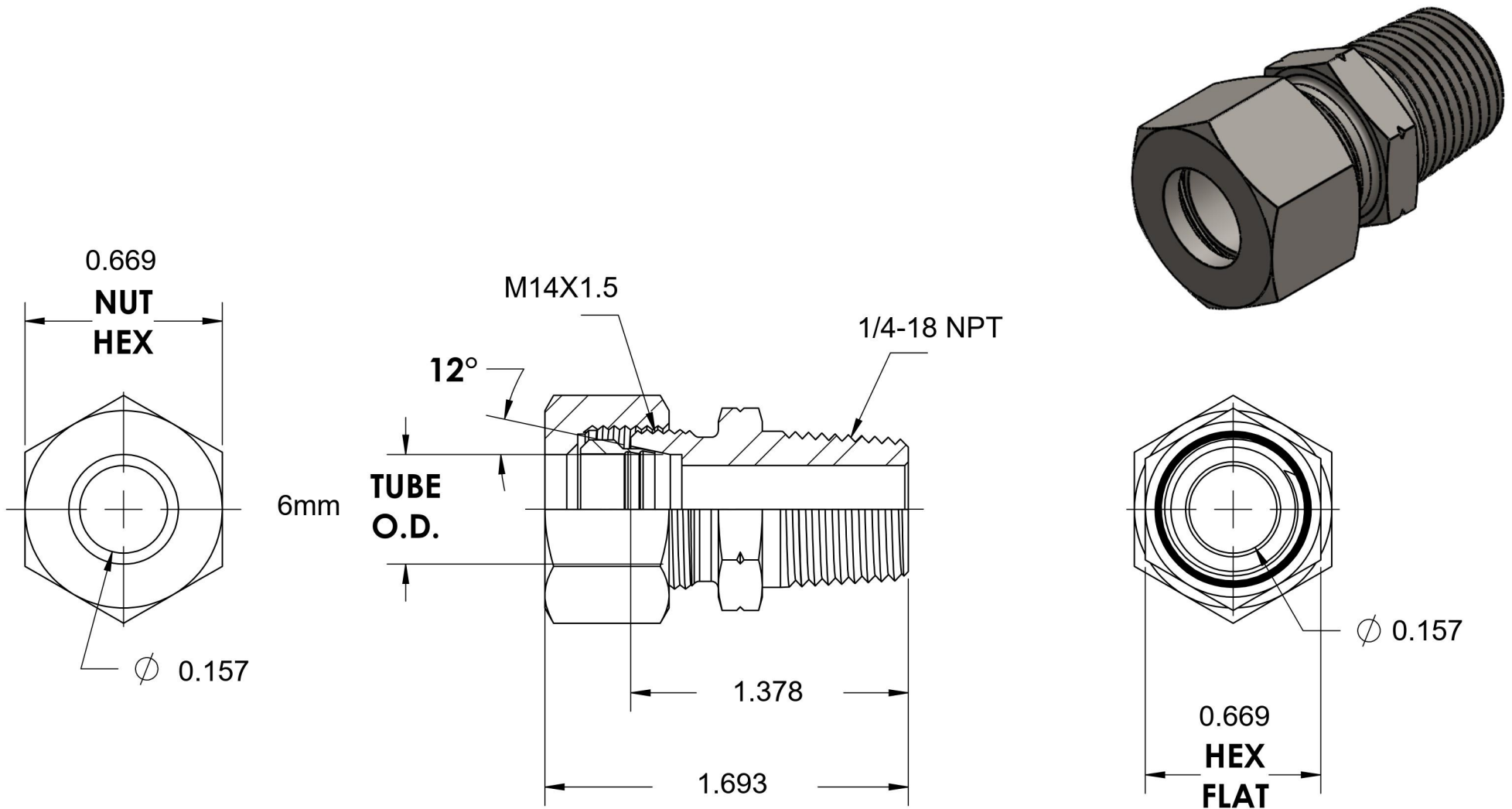


D2404-S06-04

Steel, DIN 2353 Male Connector, Heavy 6mm Tube OD x 1/4" NPT



6701 Cochran Road
Solon, Ohio 44139
Phone: (440) 248-1880
Toll Free: 1-888-331-1523

Temperature Rating	Material	Industry Standards	Series
-65°F to 500°F	C22 Steel	DIN 2353, ISO 8434-1 ANSI/ASME B1.20.1	D2404
Pressure Rating	Finish		Series Description
9137psi	Zinc Nickel		DIN 2353 Flareless Tube Male Connector