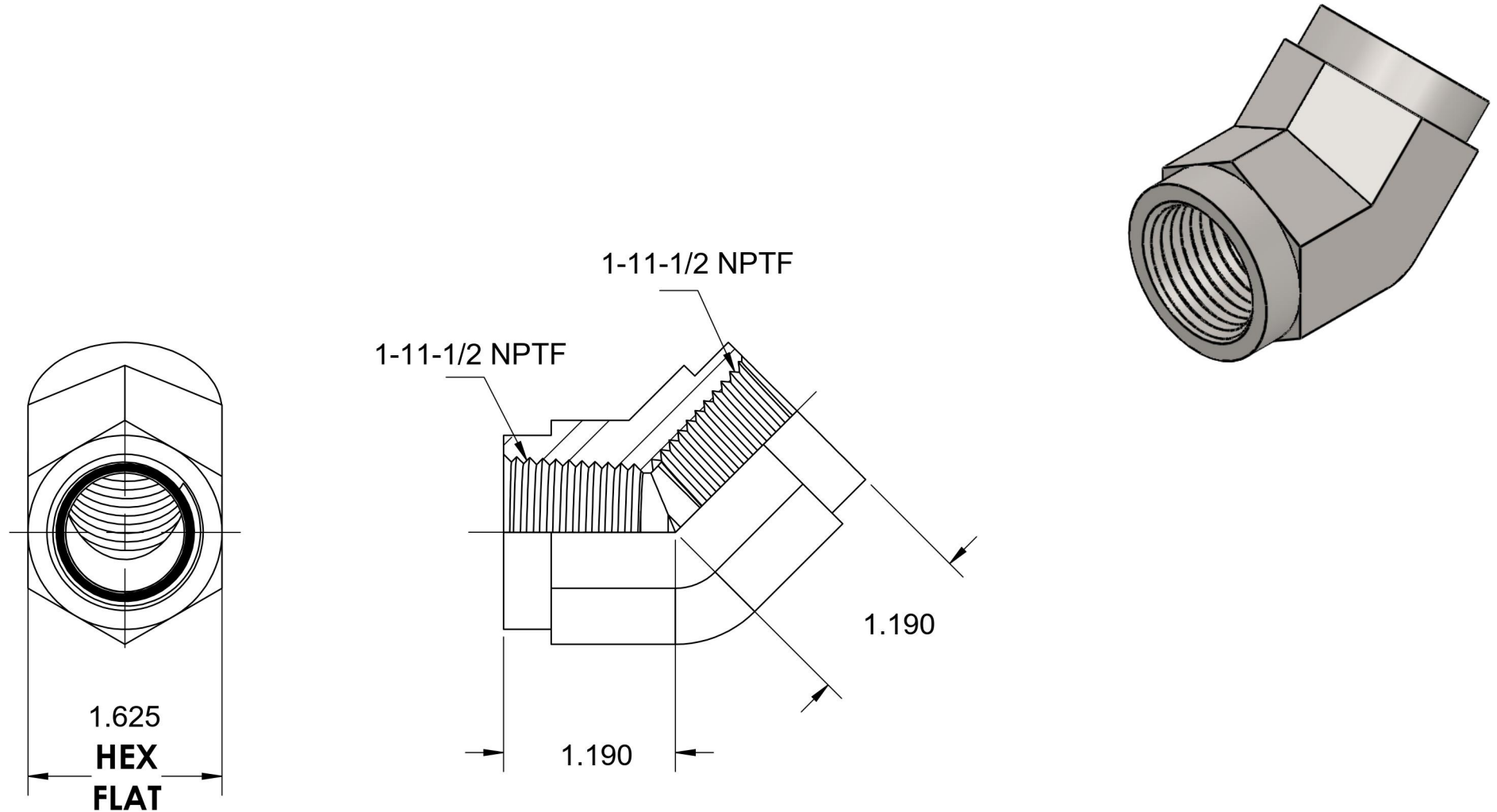


5505-16-16-SS

Stainless Steel, SAE J514 Pipe 45° Female Elbow, 1" Female NPTF x 1-11-1/2" Female NPTF



6701 Cochran Road
Solon, Ohio 44139
Phone: (440) 248-1880
Toll Free: 1-888-331-1523

Temperature Rating -425°F to 1200°F	Material 316/316L Stainless	Industry Standards SAE J514, SAE J476	Series 5505-FG
Pressure Rating 1800psi	Finish Passivation		Series Description SAE J514 Pipe 45° Female Elbow