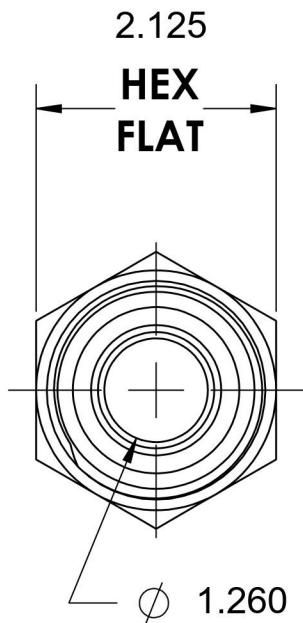
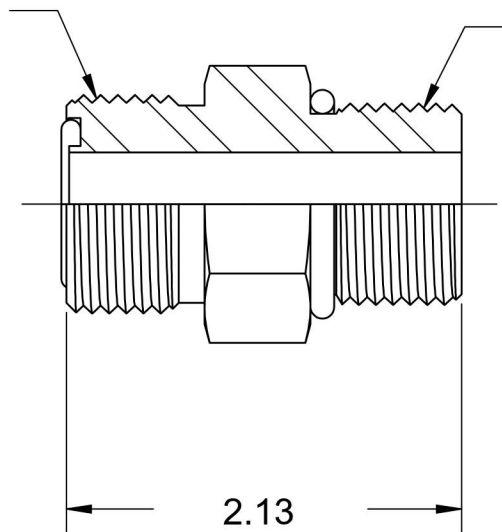


FS6400-24-24-O

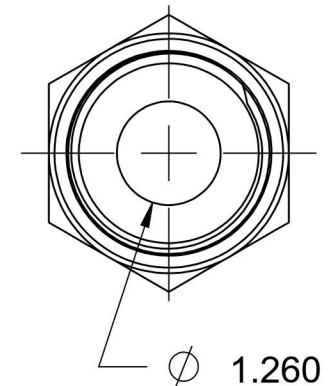
Steel, SAE J1453 O-Ring Face Seal Port Connector, 1-1/2" Male ORFS x 1-7/8-12 Male ORB



2-12 UNF



1-7/8-12 UN



6701 Cochran Road
Solon, Ohio 44139
Phone: (440) 248-1880
Toll Free: 1-888-331-1523

Temperature Rating

-40°F to 250°F

Pressure Rating

5000 psi

Material

C1045 / 12L14 Steel

Finish

Trivalent Zinc

Industry Standards

SAE J1453, SAE J1926-2
ASTM B633

Series

FS6400-O

Series Description

SAE J1453 O-Ring Face Seal
Port Connector