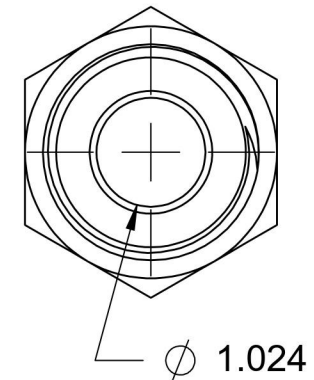
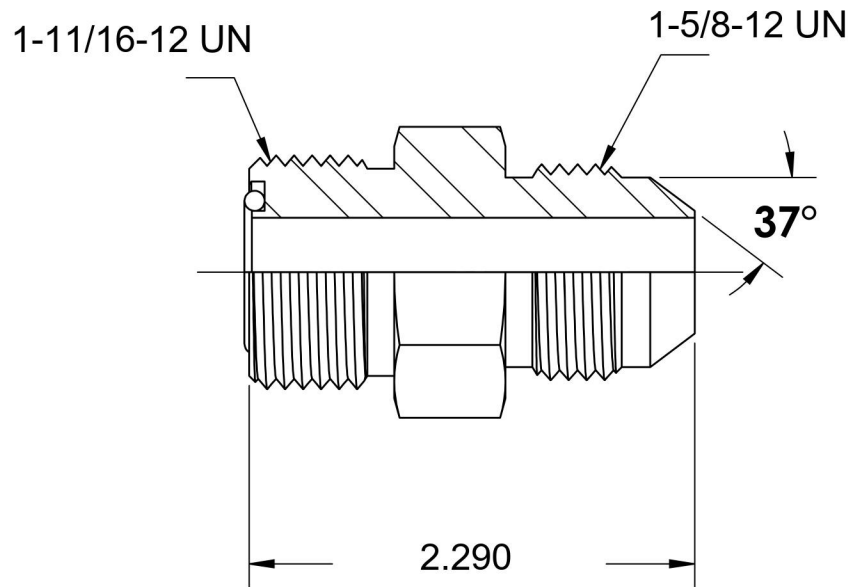
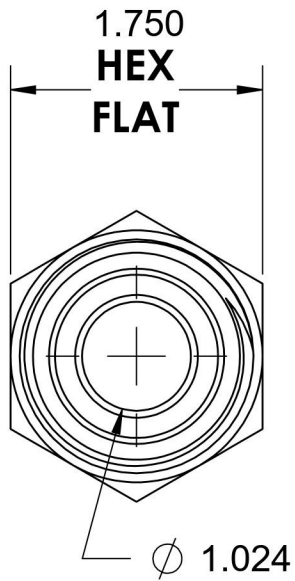
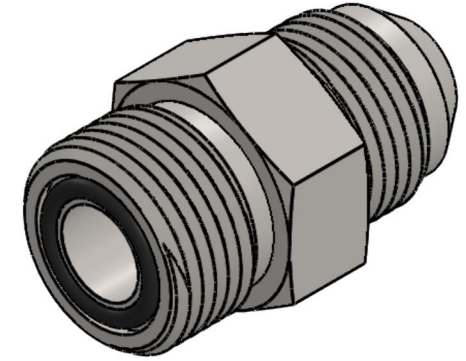


FS6403-20-20

Steel, SAE J1453/J514 Conversion Adapter, 1-1/4" Male ORFS x 1-1/4" Male JIC



6701 Cochran Road
Solon, Ohio 44139
Phone: (440) 248-1880
Toll Free: 1-888-331-1523

Temperature Rating	Material	Industry Standards	Series
-40°F to 250°F	C1045/12L14 Steel	SAE J1453, SAE J514 SAE J515, ASTM B633	FS6403
Pressure Rating	Finish		Series Description
4000 psi	Trivalent Zinc		SAE J1453 O-Ring Face Seal Male Flared Adapter