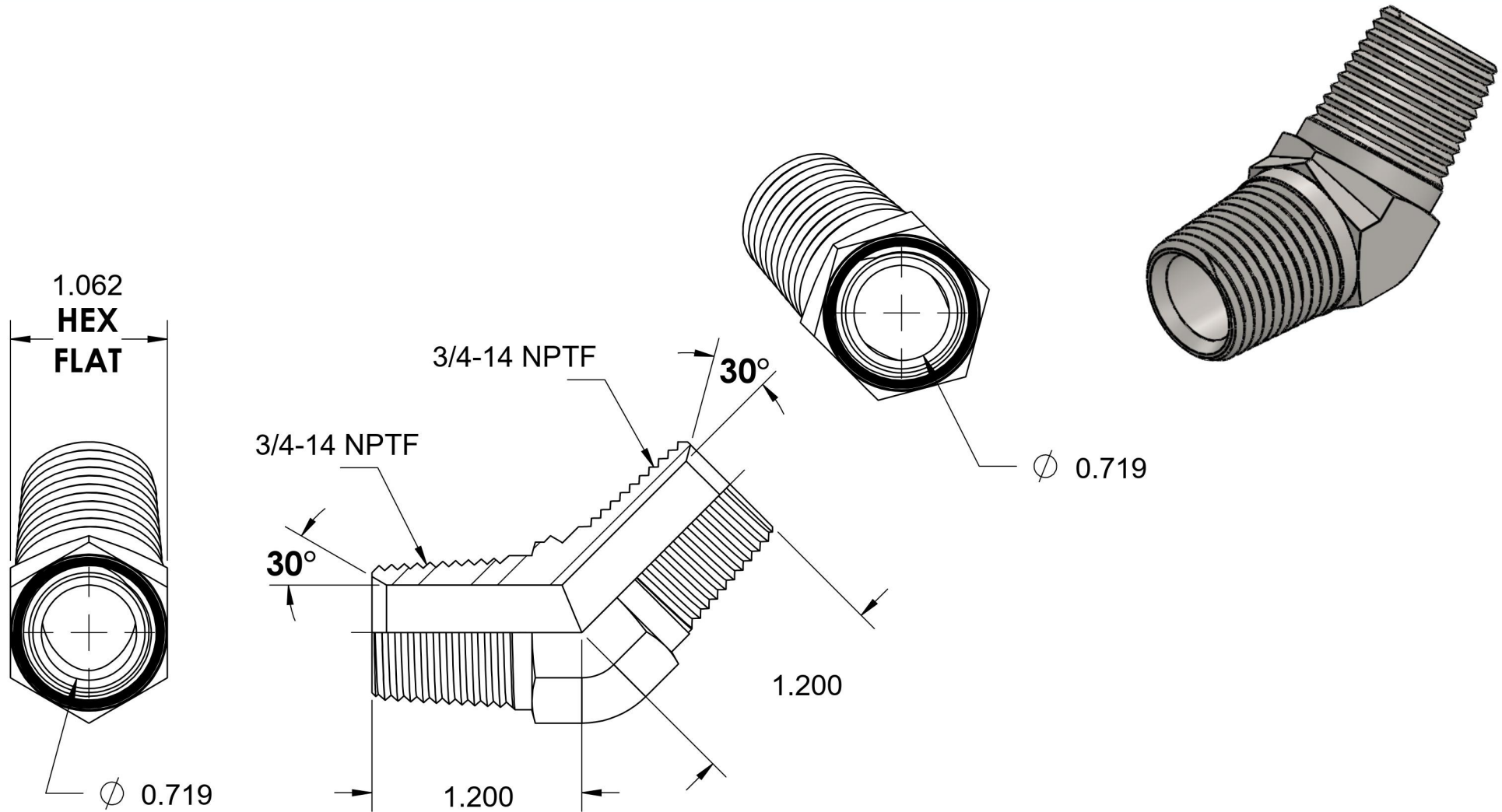


5501-12-12-SS

Stainless Steel, SAE J514 Pipe 45° Male Elbow, 3/4" Male NPTF 30° x 3/4" Male NPTF 30°



6701 Cochran Road
Solon, Ohio 44139
Phone: (440) 248-1880
Toll Free: 1-888-331-1523

Temperature Rating

-425°F to 1200°F

Pressure Rating

4000psi

Material

316/316L Stainless

Finish

Passivation

Industry Standards

SAE J514 , SAE J476

Series

5501-FG

Series Description

SAE J514 Pipe 45° Male Elbow