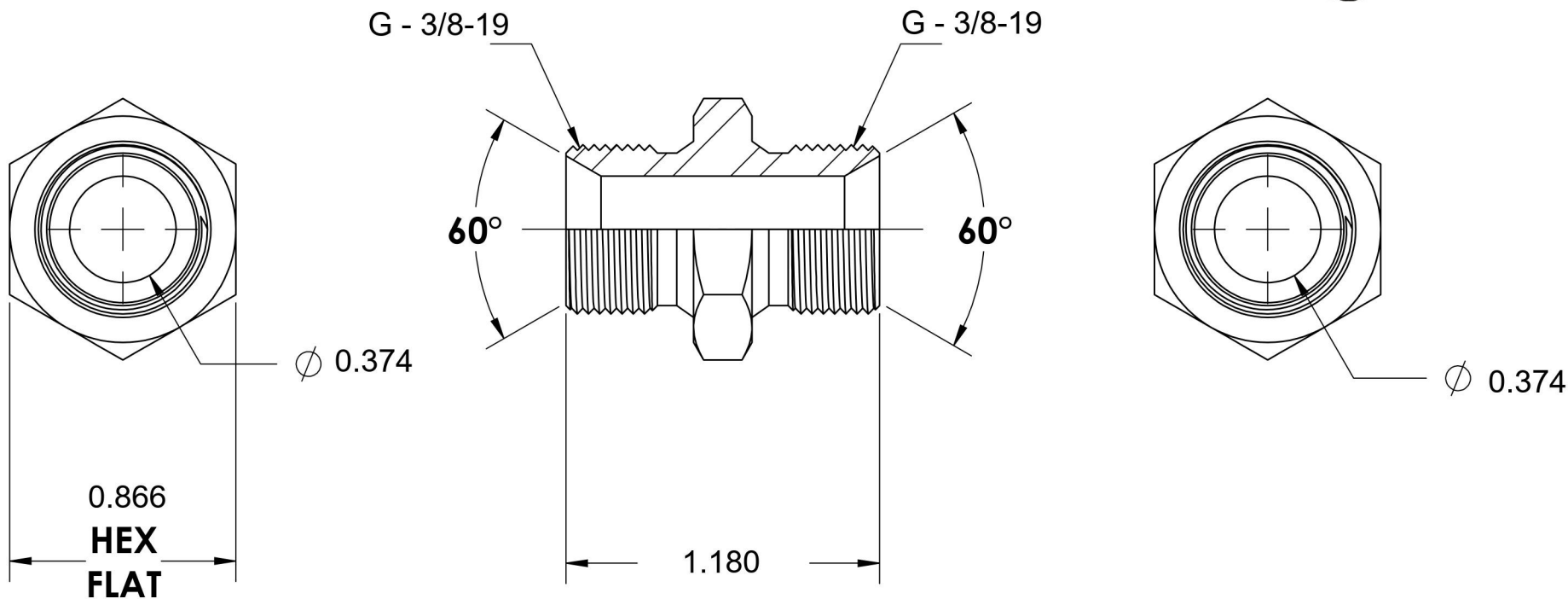
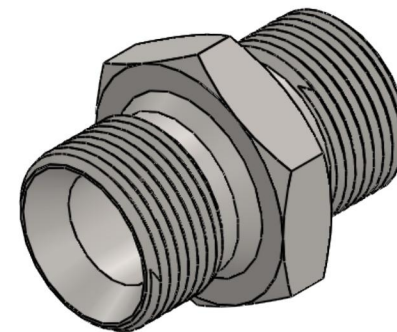


# 9022-06-06

Steel, ISO 1179 BSPP Port/Line Union, 3/8-19 Male BSPP 60° Line/Port x 3/8-19 Male BSPP 60° Line/Port



6701 Cochran Road  
Solon, Ohio 44139  
Phone: (440) 248-1880  
Toll Free: 1-888-331-1523

|                           |                   |                                   |                                  |
|---------------------------|-------------------|-----------------------------------|----------------------------------|
| <b>Temperature Rating</b> | <b>Material</b>   | <b>Industry Standards</b>         | <b>Series</b>                    |
| -65°F to 500°F            | C1045/12L14 Steel | ISO 1179, ISO 8434-6<br>ASTM B633 | 9022                             |
| <b>Pressure Rating</b>    | <b>Finish</b>     |                                   | <b>Series Description</b>        |
| 5100 psi                  | Trivalent Zinc    |                                   | ISO 1179 BSPP<br>Port/Line Union |