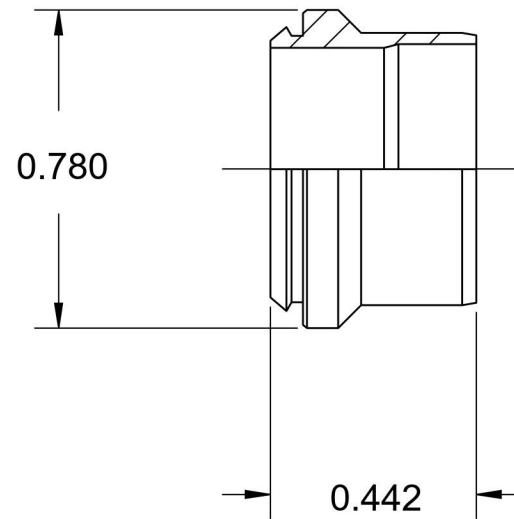
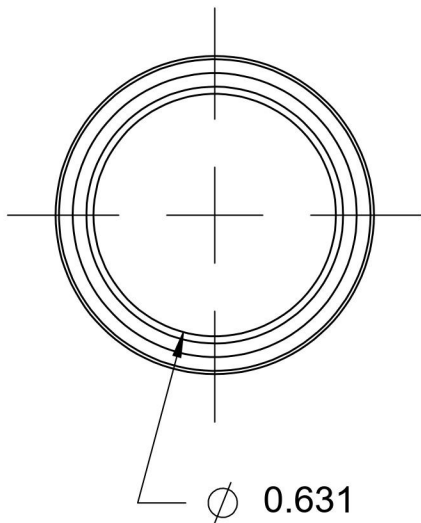


C0319-10

Steel, SAE J514 Flareless Tube Ferrule, 5/8" Flareless Bite Type Sleeve Type A



6701 Cochran Road
Solon, Ohio 44139
Phone: (440) 248-1880
Toll Free: 1-888-331-1523

Temperature Rating	Material	Industry Standards	Series
-65°F to 500°F	Low Carbon Steel	SAE J514, AMS 2769 MIL-DTL-16236, ASTM-F1137	C0319
Pressure Rating	Finish		Series Description
Not Available	Zinc Phosphate Heat Treat per AMS 2769		SAE J514 Flareless Tube Ferrule