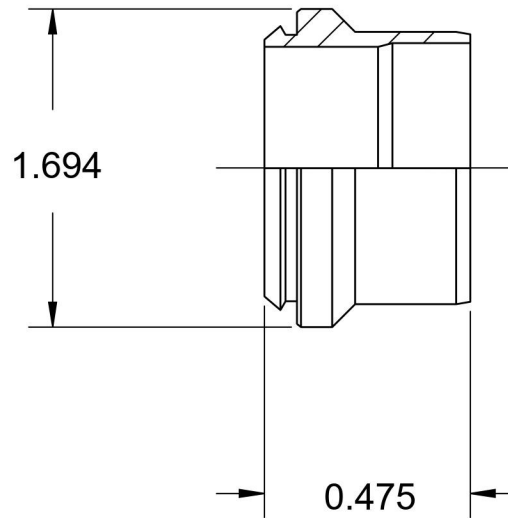
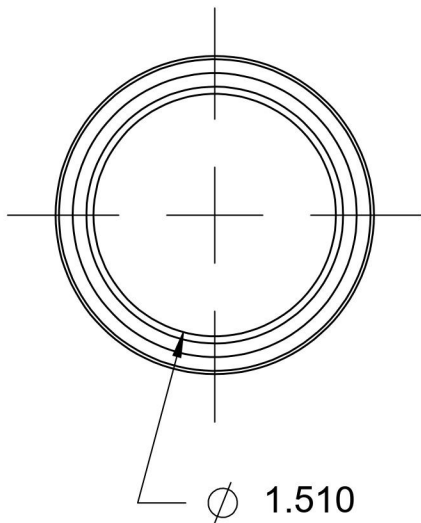


C0319-24

Steel, SAE J514 Flareless Tube Ferrule, 1-1/2" Flareless Bite Type Sleeve Type A



6701 Cochran Road
Solon, Ohio 44139
Phone: (440) 248-1880
Toll Free: 1-888-331-1523

| | | | |
|---|--|--|--|
| Temperature Rating -65°F to 500°F | Material Low Carbon Steel | Industry Standards SAE J514, AMS 2769 MIL-DTL-16236, ASTM-F1137 | Series C0319 |
| Pressure Rating Not Available | Finish Zinc Phosphate Heat Treat per AMS 2769 | | Series Description SAE J514 Flareless Tube Ferrule |