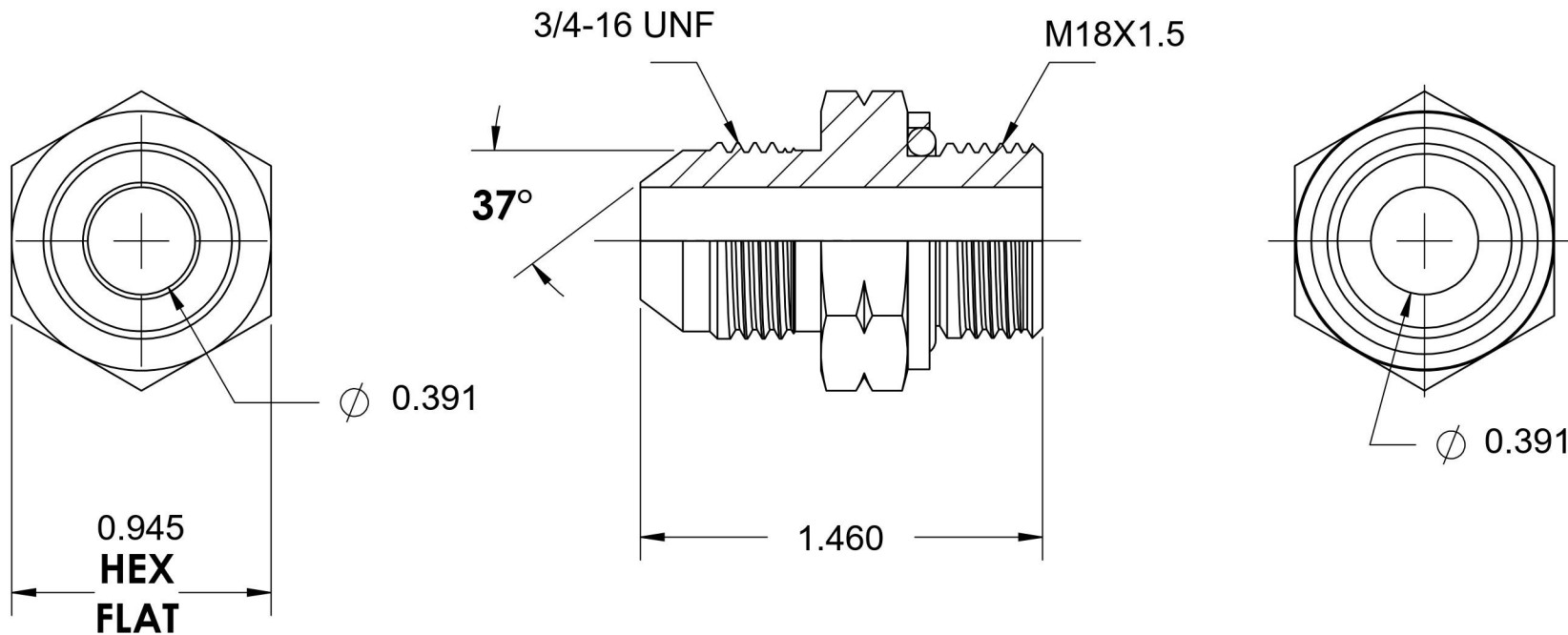


7001-08-18

Steel, SAE J514 37° Flare Male Metric Type (G) Port Adapter, 1/2" Male JIC x M18X1.5 Male Metric ORR



6701 Cochran Road
Solon, Ohio 44139
Phone: (440) 248-1880
Toll Free: 1-888-331-1523

Temperature Rating

-40°F to 250°F

Pressure Rating

3600 psi

Material

C1045/12L14 Steel

Finish

Trivalent Zinc

Industry Standards

SAE J514, ISO 9974
ASTM B633

Series

7001-ORR

Series Description

SAE J514 37° Flare Male Metric Type (G) Port Adapter