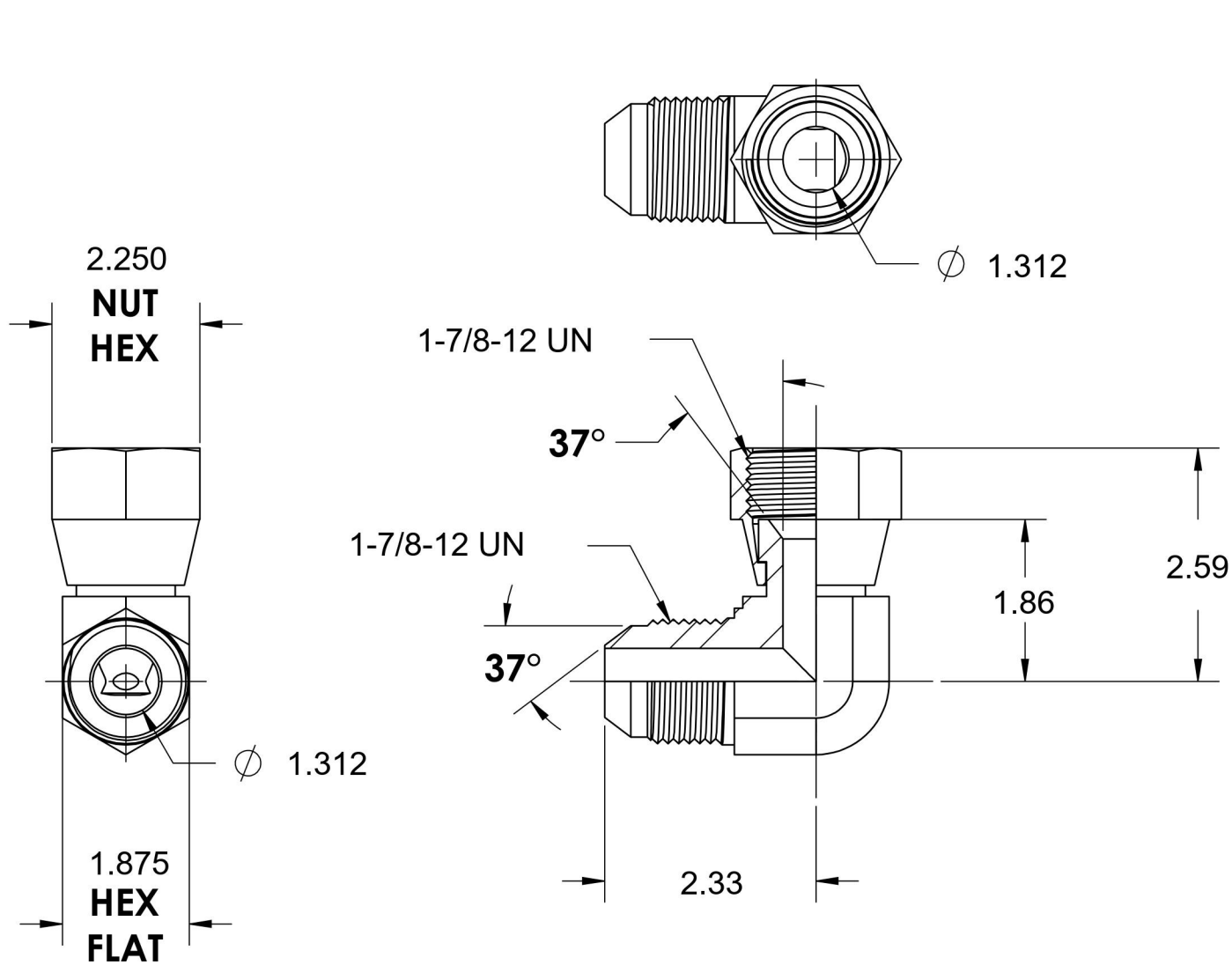


# 6500-24-24-FG

Steel, SAE J514 37° Flare 90° Swivel Elbow, 1-1/2" Male JIC x 1-1/2" Female JIC Swivel



6701 Cochran Road  
Solon, Ohio 44139  
Phone: (440) 248-1880  
Toll Free: 1-888-331-1523

<b>Temperature Rating</b> -65°F to 500°F	<b>Material</b> C1045 Steel	<b>Industry Standards</b> SAE J514, ASTM B633	<b>Series</b> 6500-FG
<b>Pressure Rating</b> 3000 psi	<b>Finish</b> Trivalent Zinc		<b>Series Description</b> SAE J514 37° Flare 90° Swivel Elbow