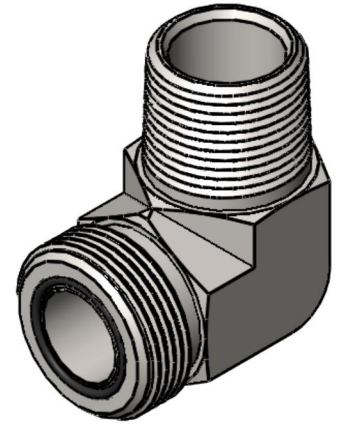
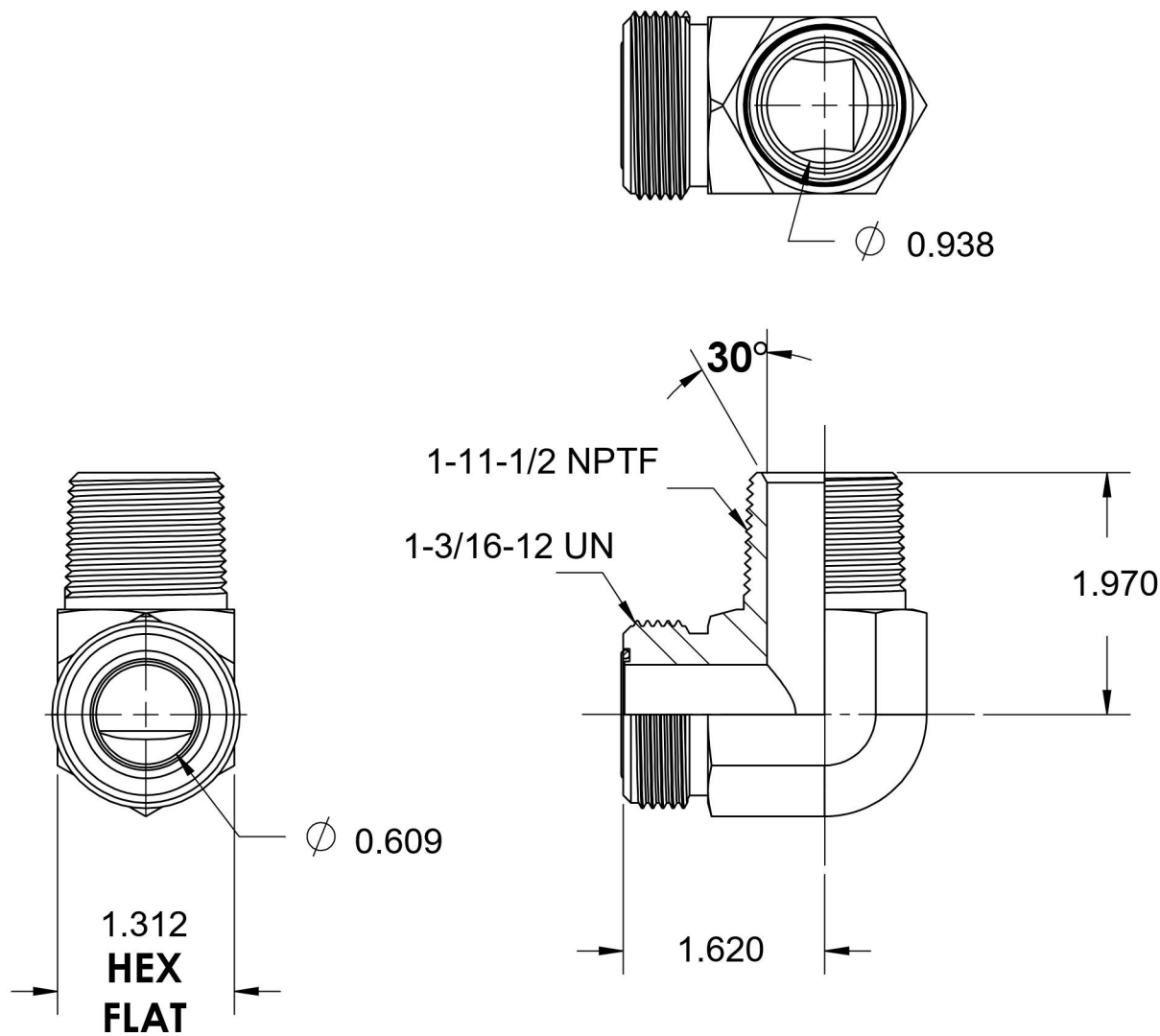


FS2501-12-16-FG

Steel, SAE J1453 O-Ring Face Seal 90° Male Elbow, 3/4" Male ORFS x 1" Male NPTF 30°



6701 Cochran Road
Solon, Ohio 44139
Phone: (440) 248-1880
Toll Free: 1-888-331-1523

| | | | |
|---------------------------|-----------------|--|--|
| Temperature Rating | Material | Industry Standards | Series |
| -40°F to 250°F | C1045 Steel | SAE J1453, SAE J476 SAE J515, ASTM B633 | FS2501-FG |
| Pressure Rating | Finish | | Series Description |
| 3000 psi | Trivalent Zinc | | SAE J1453 O-Ring Face Seal 90° Male Elbow |