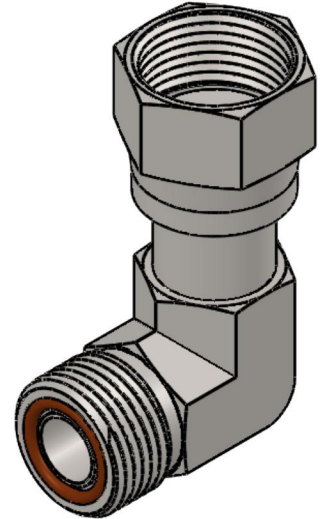
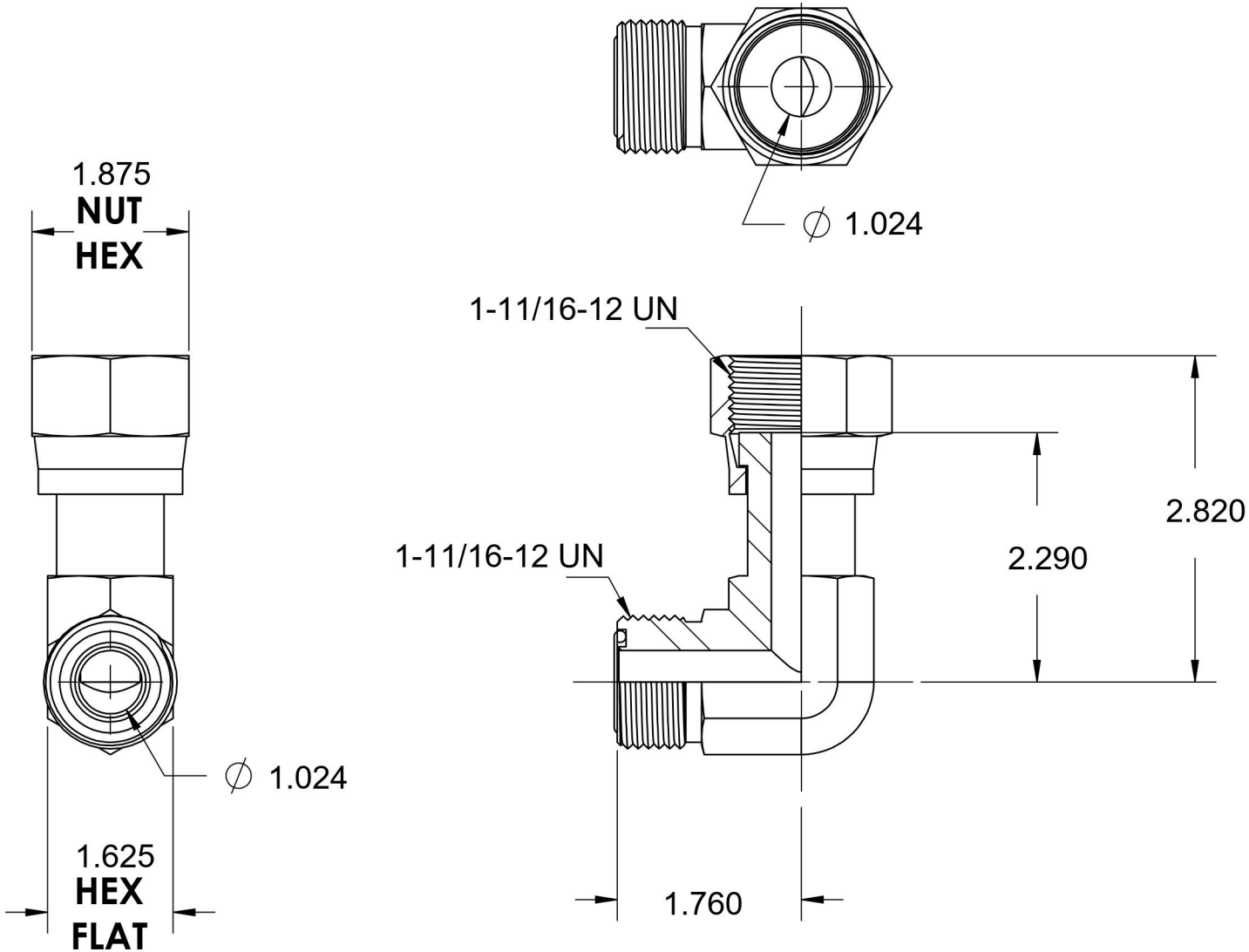


FS6500-20-20-FG-VITON

Steel, SAE J1453 O-Ring Face Seal 90° Swivel Elbow, 1-1/4" Male ORFS x 1-1/4" Female ORFS Swivel, FKM Seal



6701 Cochran Road
Solon, Ohio 44139
Phone: (440) 248-1880
Toll Free: 1-888-331-1523

Temperature Rating	Material	Industry Standards	Series
-15°F to 400°F	C1045 Steel	SAE J1453, SAE J515 ASTM B633	FS6500-FG-VITON
Pressure Rating	Finish		Series Description
5000 psi	Trivalent Zinc		SAE J1453 O-Ring Face Seal 90° Swivel Elbow