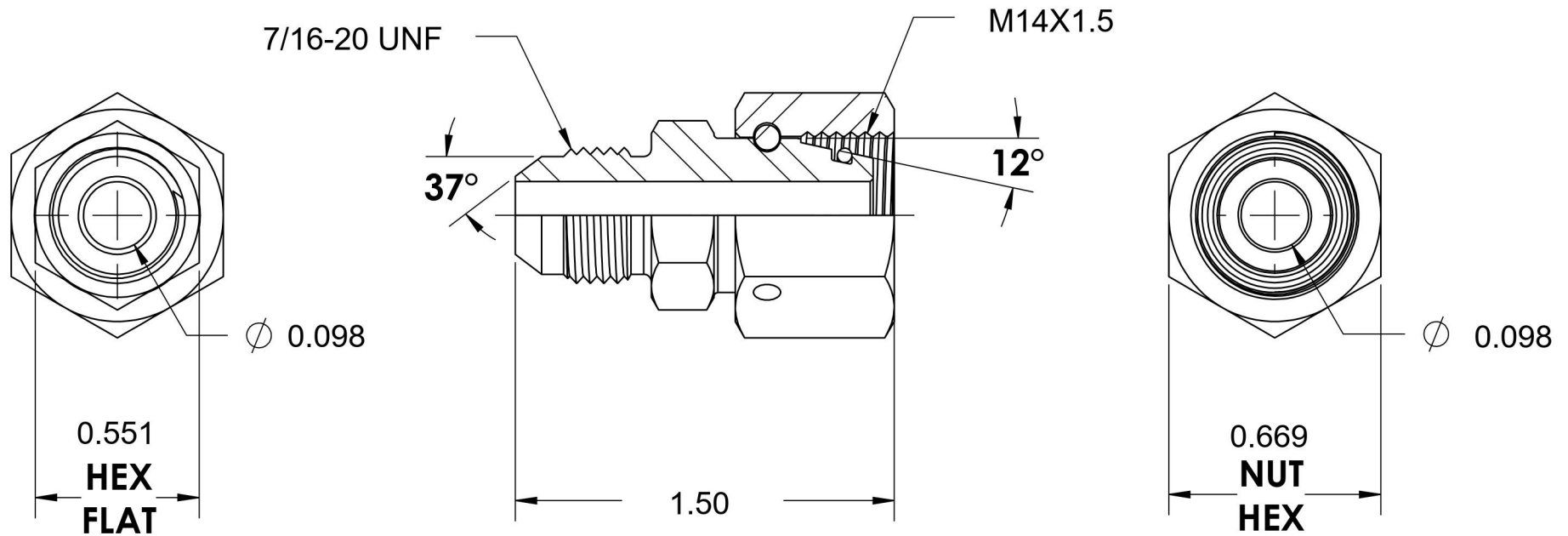
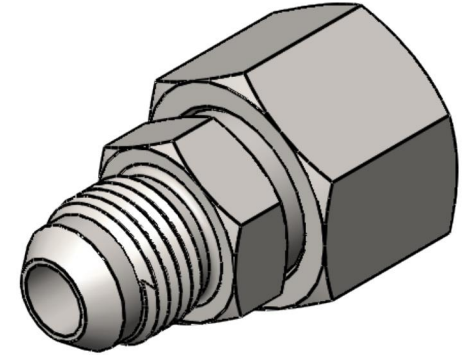


7007-04-S06-14

Steel, SAE J514 37° Flare DIN (S) Swivel Adapter, 1/4" Male JIC x M14X1.5 Female DKO Swivel



6701 Cochran Road
Solon, Ohio 44139
Phone: (440) 248-1880
Toll Free: 1-888-331-1523

| | | | |
|---------------------------|---------------------|---------------------------|--|
| Temperature Rating | Material | Industry Standards | Series |
| -40°F to 250°F | C1045 / 12L14 Steel | SAE J514, ISO 8434-1 | 7007-DIN HEAVY |
| Pressure Rating | Finish | DIN 2353, ASTM B633 | Series Description |
| 7500 psi | Trivalent Zinc | | SAE J514 37° Flare DIN (S) Swivel Adapter |