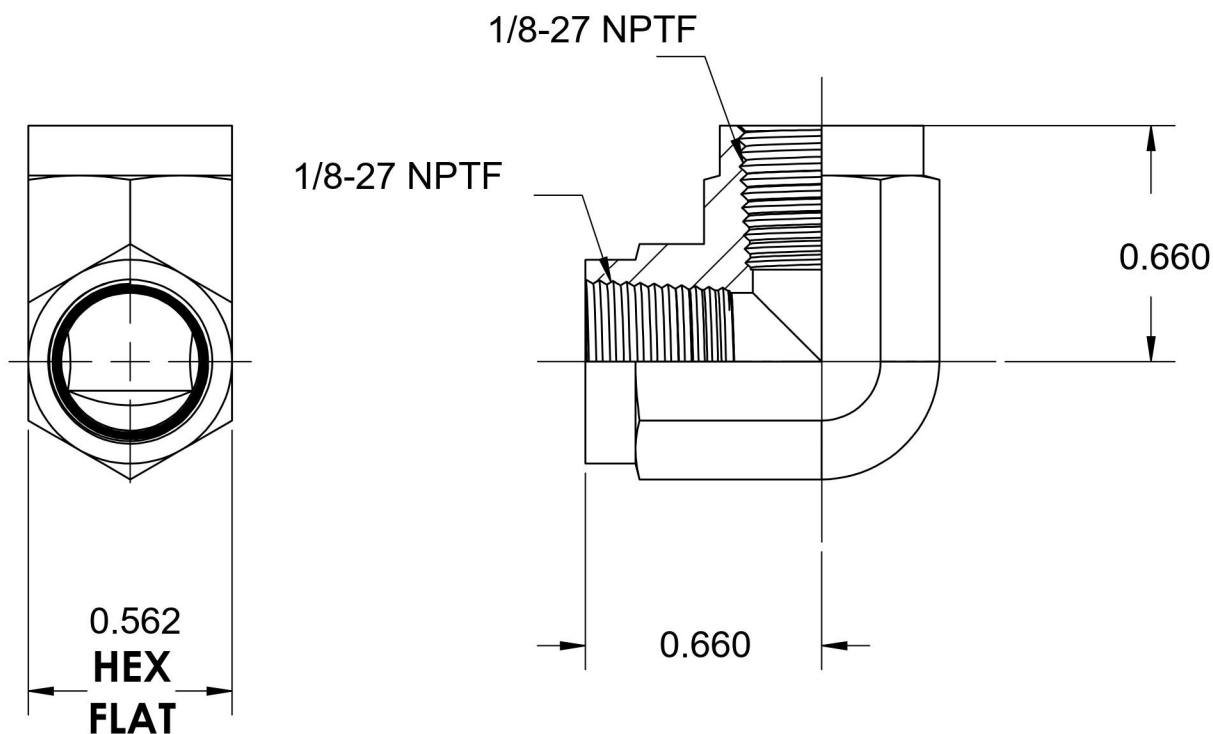


5504-02-02-FG

Steel, SAE J514 Pipe 90° Female Elbow, 1/8" Female NPTF x 1/8" Female NPTF



6701 Cochran Road
Solon, Ohio 44139
Phone: (440) 248-1880
Toll Free: 1-888-331-1523

Temperature Rating -65°F to 500°F	Material C1045 Steel	Industry Standards SAE J514, SAE J476 ASTM B633	Series 5504-FG
Pressure Rating 5000 psi	Finish Trivalent Zinc		Series Description SAE J514 Pipe 90° Female Elbow