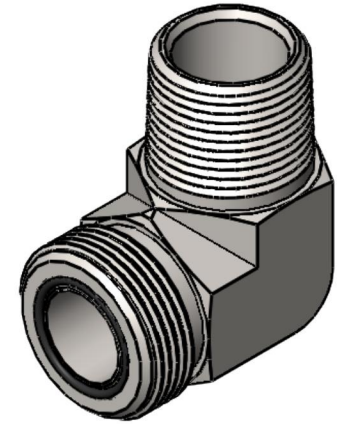
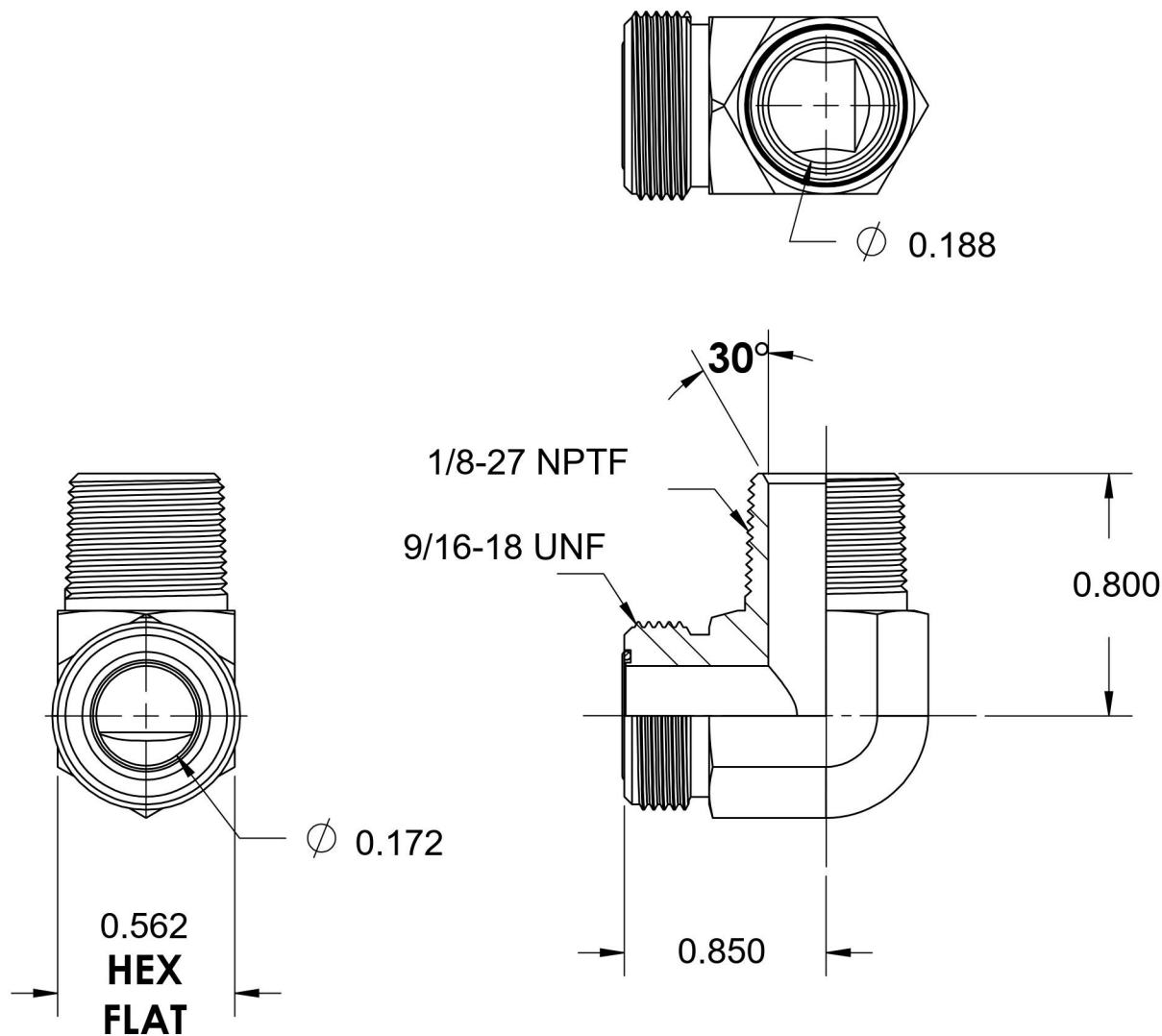


# FS2501-04-02-FG

Steel, SAE J1453 O-Ring Face Seal 90° Male Elbow, 1/4" Male ORFS x 1/8" Male NPTF 30°



6701 Cochran Road  
Solon, Ohio 44139  
Phone: (440) 248-1880  
Toll Free: 1-888-331-1523

**Temperature Rating**

-40°F to 250°F

**Pressure Rating**

6000 psi

**Material**

C1045 Steel

**Finish**

Trivalent Zinc

**Industry Standards**

SAE J1453, SAE J476  
SAE J515, ASTM B633

**Series**

FS2501-FG

**Series Description**

SAE J1453 O-Ring Face Seal  
90° Male Elbow