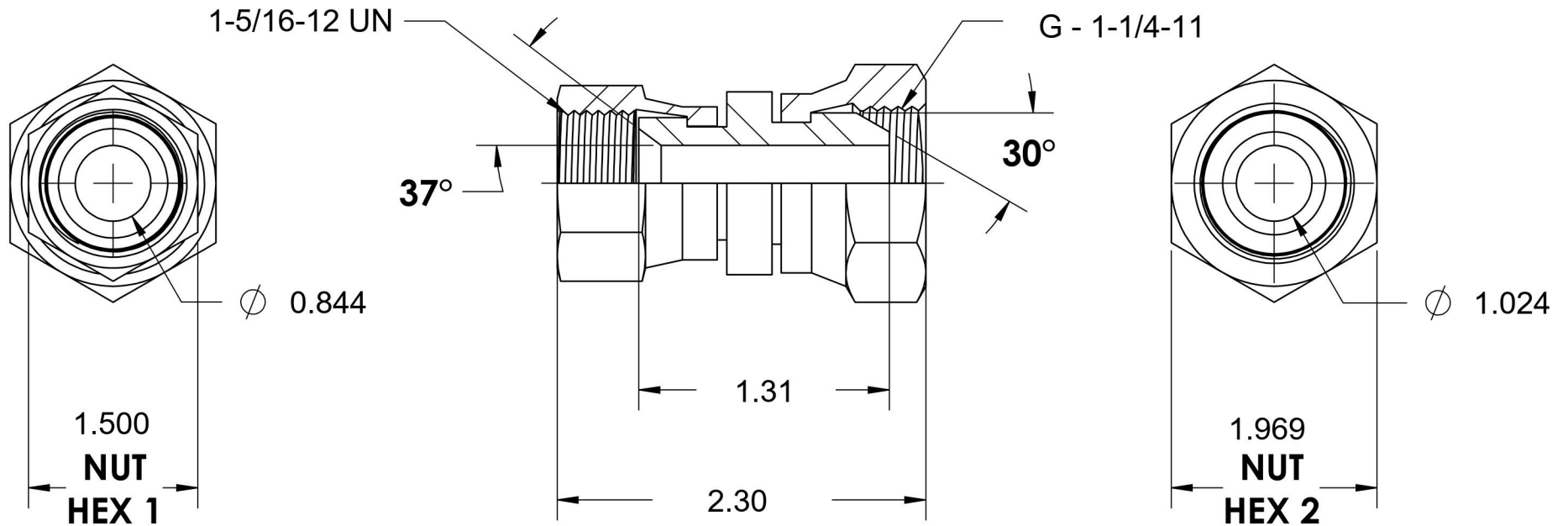
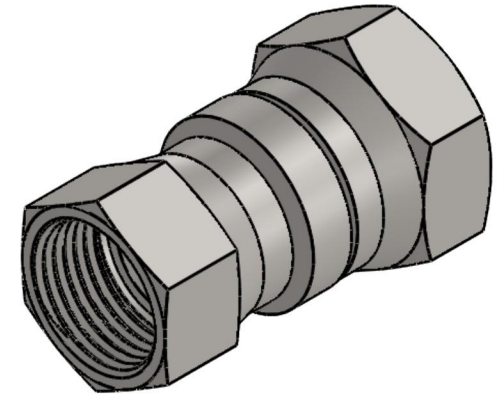


7023-16-20

Steel, SAE J514 37° Flare Swivel BSPP Connector, 1" Female JIC Swivel x 1-1/4-11 Female BSPP Swivel



6701 Cochran Road
Solon, Ohio 44139
Phone: (440) 248-1880
Toll Free: 1-888-331-1523

Temperature Rating -65°F to 500°F	Material C1045 / 12L14 Steel	Industry Standards SAE J514, ISO 8434-6	Series 7023
Pressure Rating 1500 psi	Finish Trivalent Zinc	ASTM B633	Series Description SAE J514 37° Flare Swivel BSPP Connector