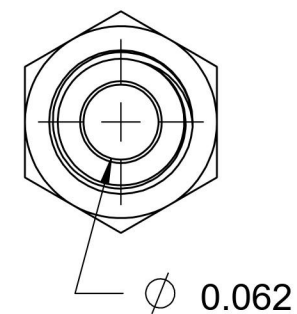
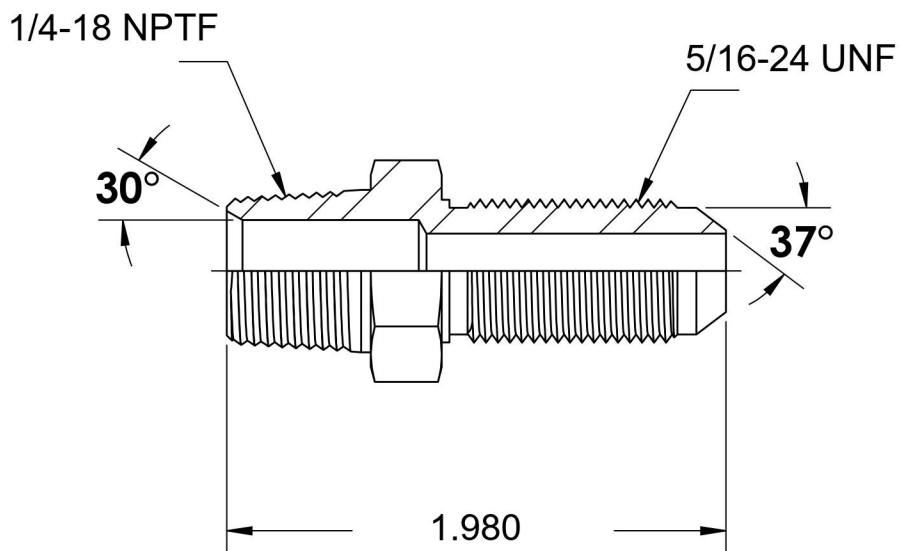
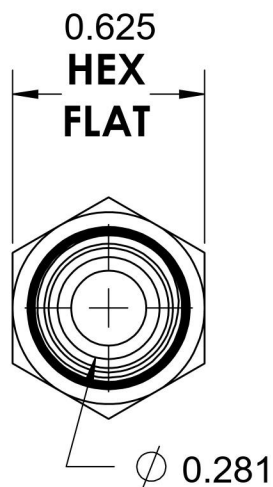
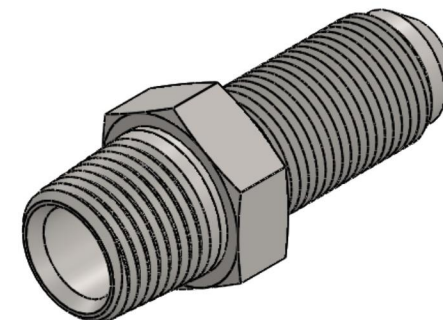


2706-04-02

Steel, SAE J514 Flared Tube Male Bulkhead, 1/4" Male NPTF 30° x 1/4" Male JIC



6701 Cochran Road
Solon, Ohio 44139
Phone: (440) 248-1880
Toll Free: 1-888-331-1523

| | | | |
|---------------------------|-------------------|--|---------------------------------------|
| Temperature Rating | Material | Industry Standards SAE J514 , SAE J476 | Series 2706 |
| -65°F to 500°F | C1045/12L14 Steel | | |
| Pressure Rating | Finish | | Series Description |
| 6000 psi | Trivalent Zinc | | SAE J514 Flared Tube Male Bulkhead |