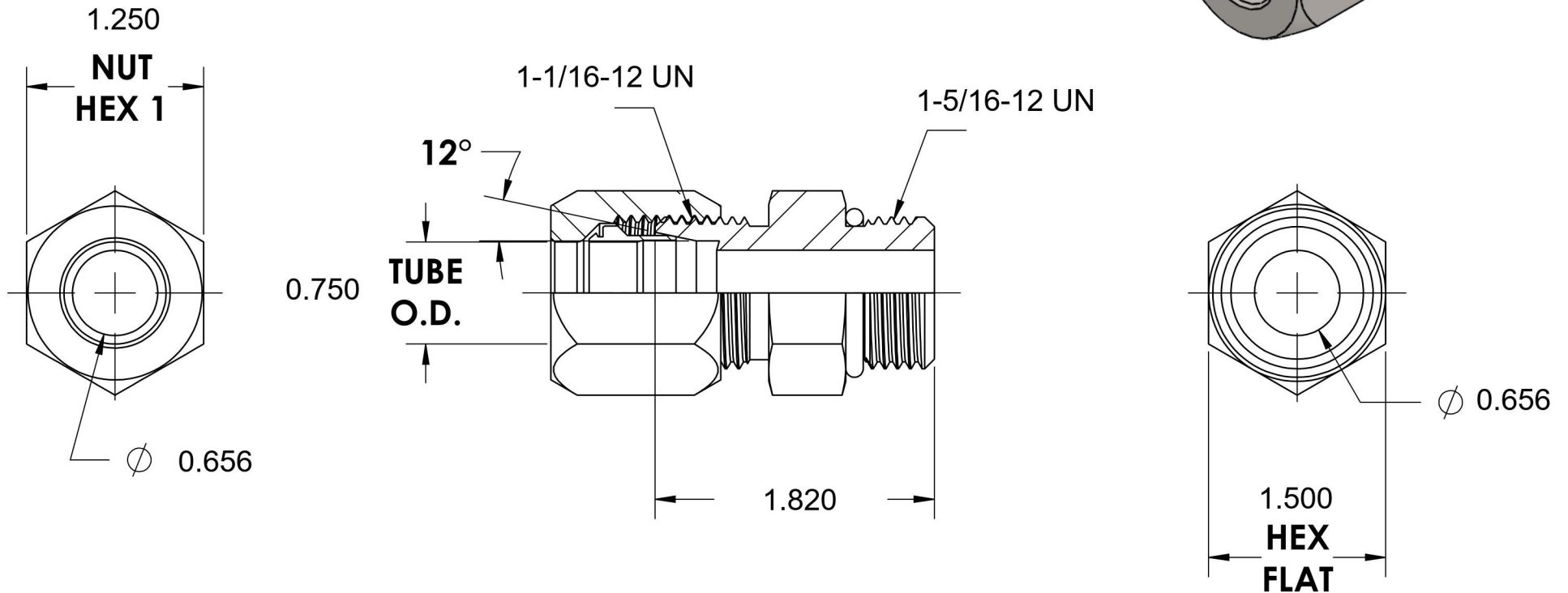
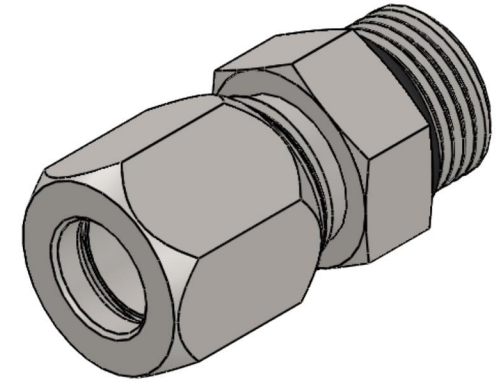


C6400-12-16-O-SS

Stainless Steel, SAE J514 Flareless Tube Port Connector, 3/4" Flareless Bite Type x 1-5/16-12 Male ORB



6701 Cochran Road
Solon, Ohio 44139
Phone: (440) 248-1880
Toll Free: 1-888-331-1523

Temperature Rating	Material	Industry Standards SAE J514, SAE J1926	Series C6400-O
Pressure Rating 4000psi	Finish Passivation		Series Description SAE J514 Flareless Tube Port Connector