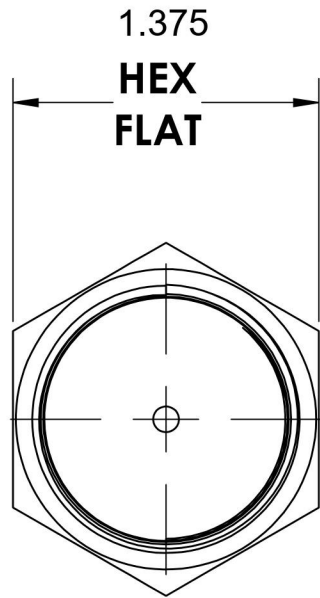
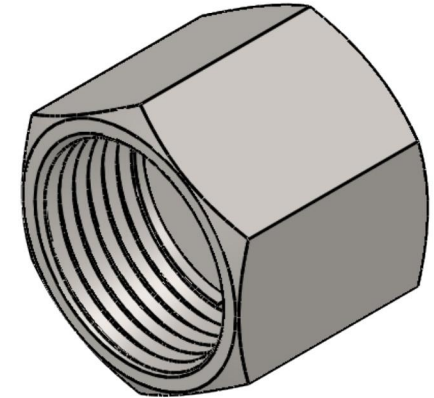
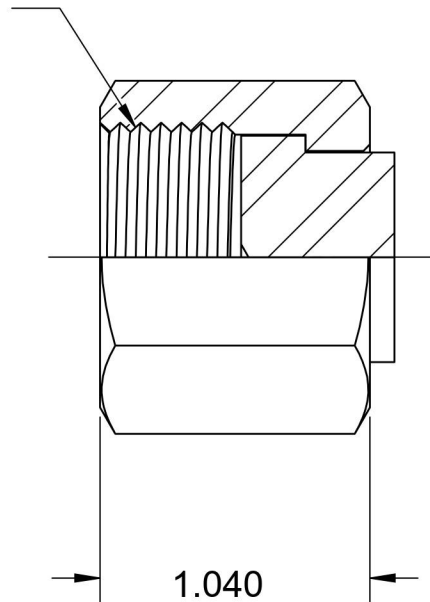


FS0304-C-12-SS

Stainless Steel, SAE J1453 O-Ring Face Seal Cap, 3/4" ORFS Cap



1-3/16-12 UN



6701 Cochran Road
Solon, Ohio 44139
Phone: (440) 248-1880
Toll Free: 1-888-331-1523

Temperature Rating	Material	Industry Standards SAE J1453	Series FS0304-C-SS
-425°F to 1200°F	316/316L Stainless Steel		
Pressure Rating	Finish	Series Description SAE J1453 O-Ring Face Seal Cap	
6000 psi	Passivated		