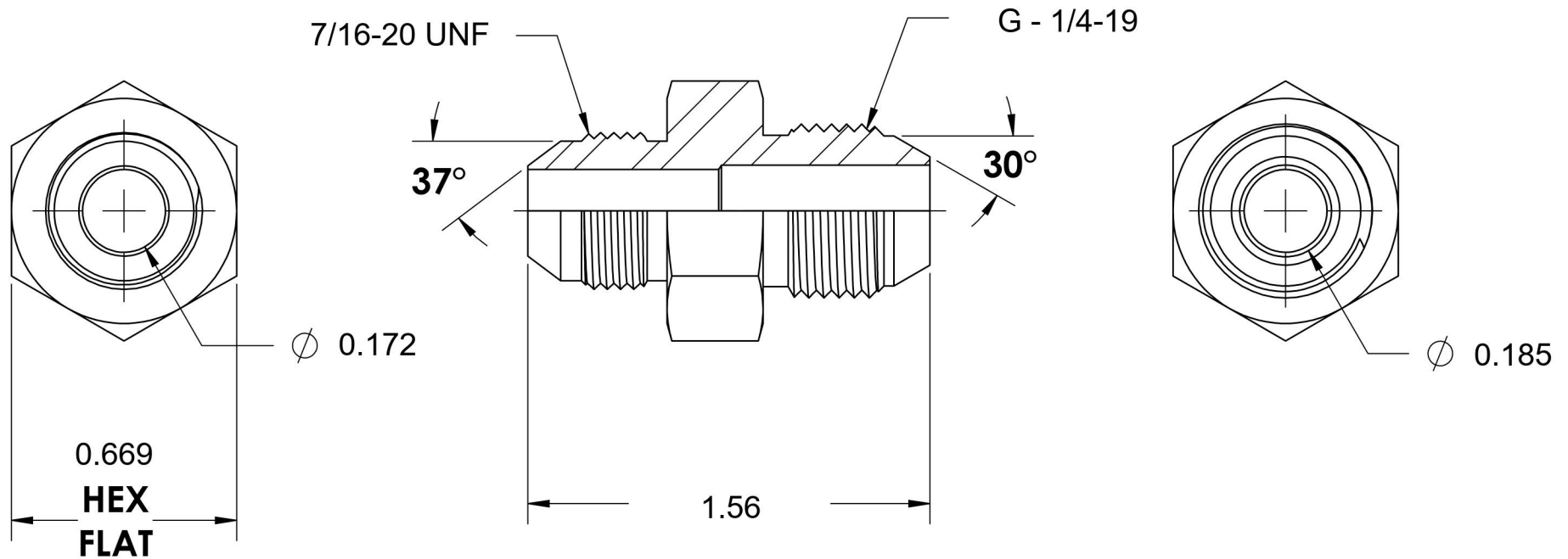
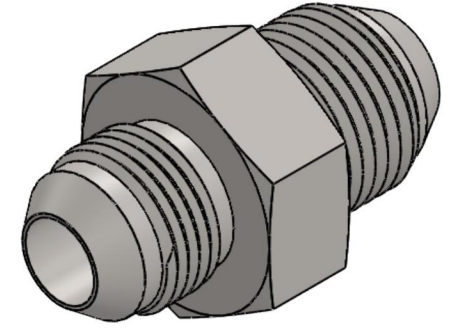


# 7008-04-04

Steel, SAE J514 37° Flare Male JIS Adapter, 1/4" Male JIC x 1/4-19 Male JIS



6701 Cochran Road  
Solon, Ohio 44139  
Phone: (440) 248-1880  
Toll Free: 1-888-331-1523

<b>Temperature Rating</b>	<b>Material</b>	<b>Industry Standards</b>	<b>Series</b>
-65°F to 500°F	C1045 / 12L14 Steel	SAE J514, JIS B 0202	7008
<b>Pressure Rating</b>	<b>Finish</b>	ASTM B633	<b>Series Description</b>
5000 psi	Trivalent Zinc		SAE J514 37° Flare Male JIS Adapter