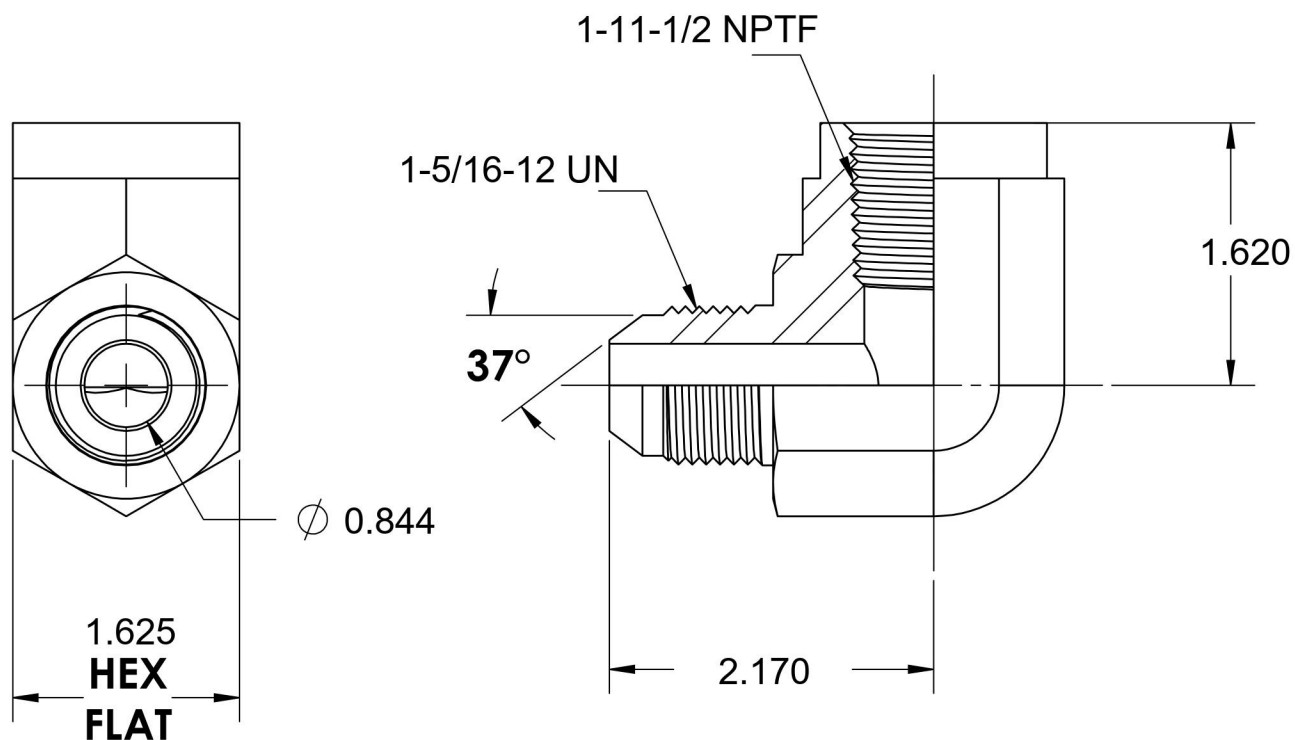
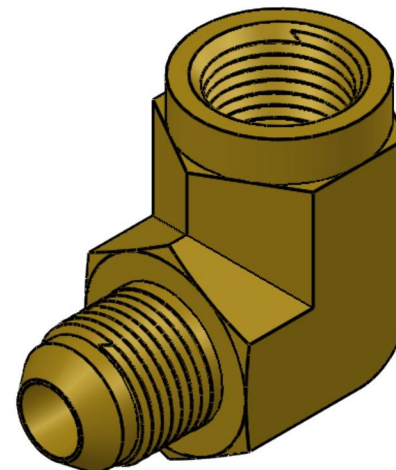


# 2502-16-16-B

Brass, SAE J514 37° Flare 90° Female Elbow, 1" Male JIC x 1" Female NPTF



6701 Cochran Road  
Solon, Ohio 44139  
Phone: (440) 248-1880  
Toll Free: 1-888-331-1523

<b>Temperature Rating</b> -325°F to 400°F	<b>Material</b> CA377 Brass	<b>Industry Standards</b> SAE J514 , SAE J476	<b>Series</b> 2502-B
<b>Pressure Rating</b> 1200 psi	<b>Finish</b> Natural Finish		<b>Series Description</b> SAE J514 37° Flare 90° Female Elbow