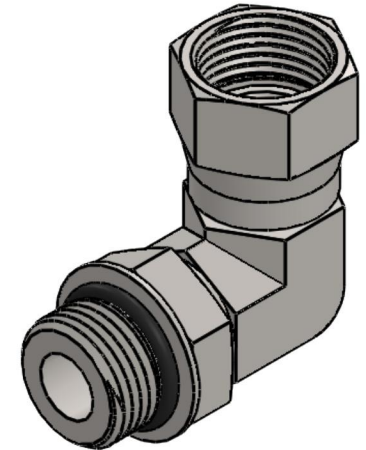
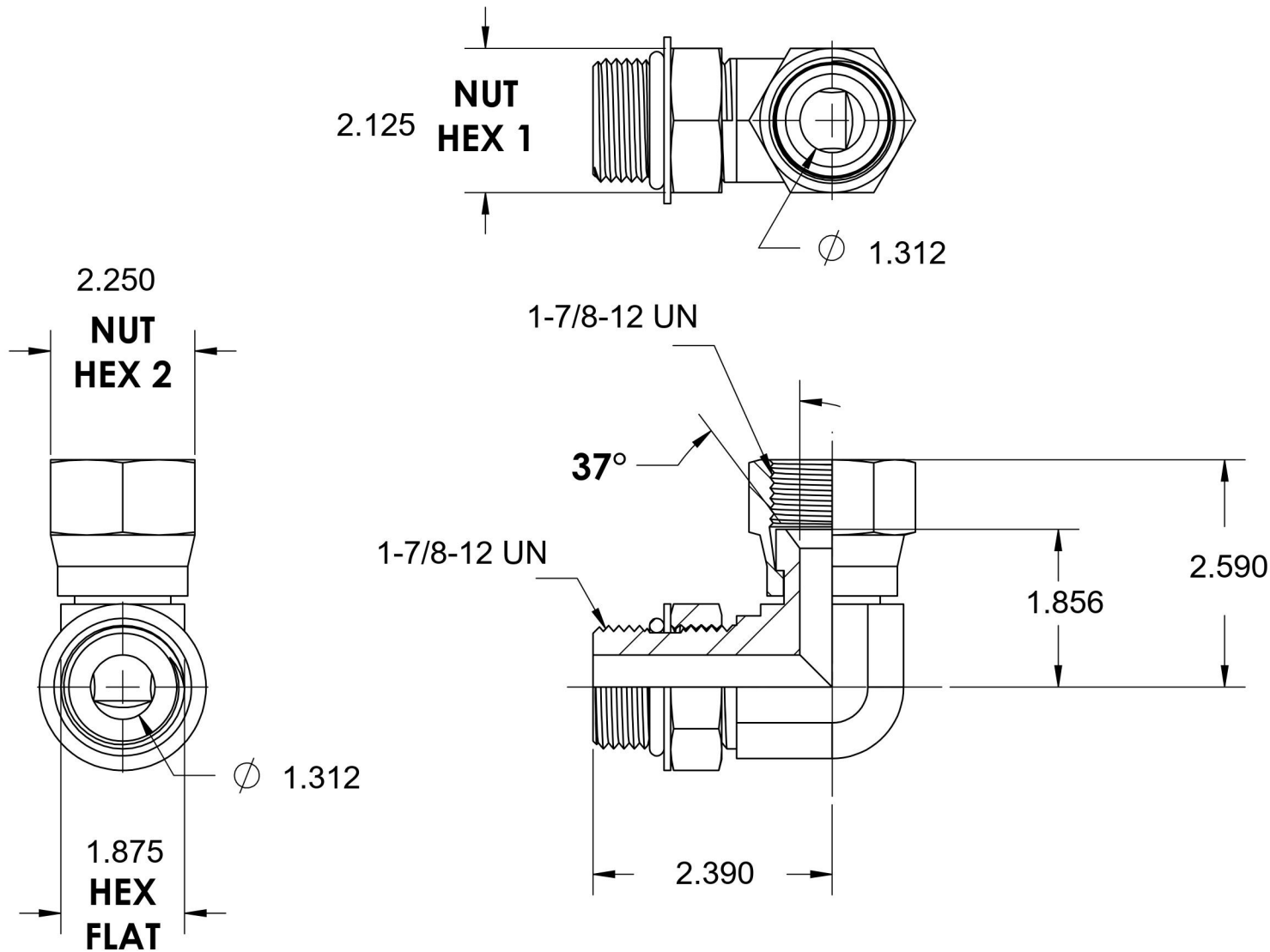


6809-24-24-NWO-SS

Stainless Steel, SAE J514 37° Flare Swivel 90° Adjustable Port Elbow, 1-7/8-12 Male Adjustable ORB x 1-1/2" Female JIC Swivel



6701 Cochran Road
Solon, Ohio 44139
Phone: (440) 248-1880
Toll Free: 1-888-331-1523

Temperature Rating

-40°F to 250°F

Pressure Rating

2500 psi

Material

316/316L Stainless Steel

Finish

Passivated

Industry Standards

SAE J1926, SAE J514

Series

6809-NWO-FG

Series Description

SAE J514 37° Flare Swivel 90° Adjustable Port Elbow