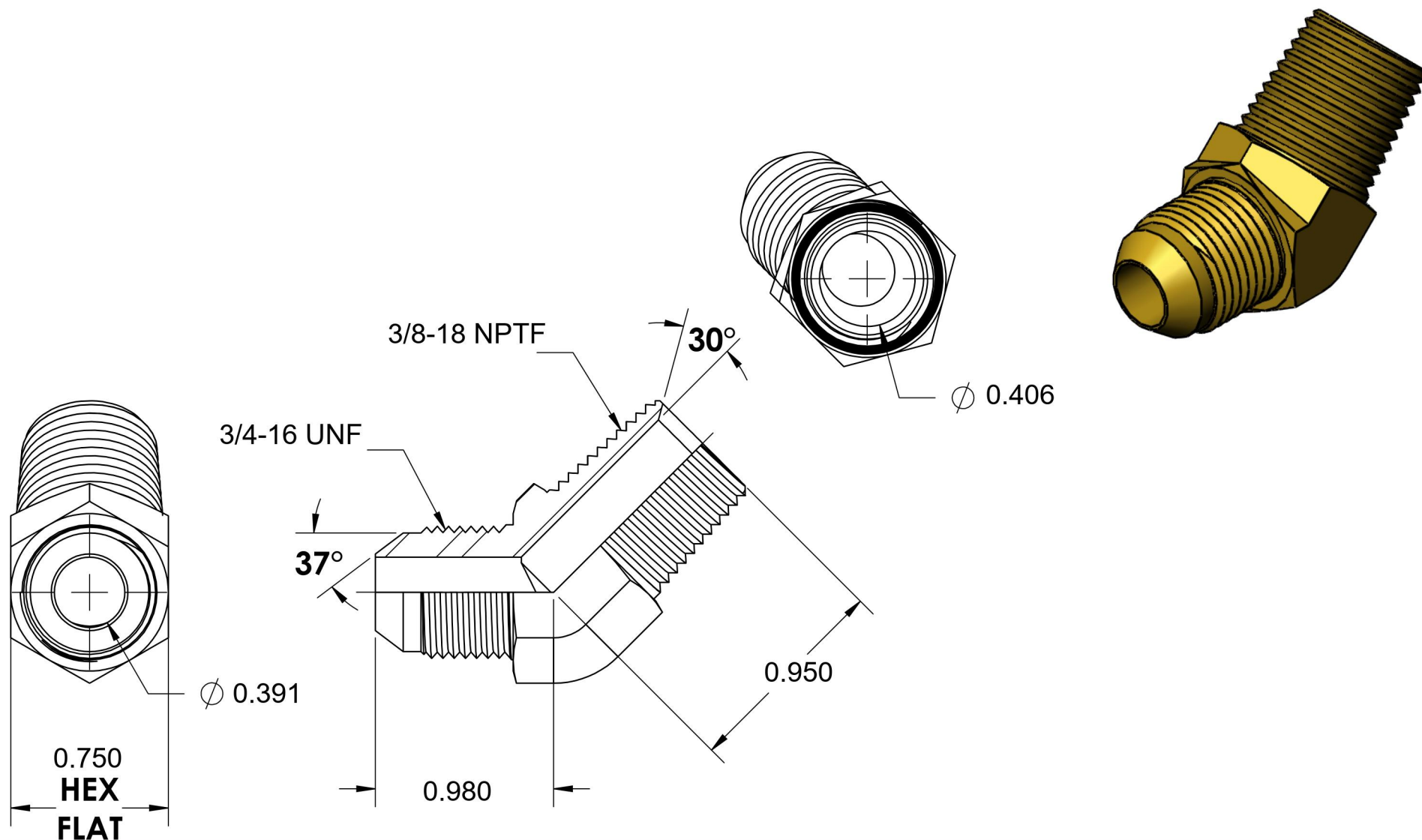


2503-08-06-B

Brass, SAE J514 37° Flare 45° Male Elbow, 1/2" Male JIC x 3/8" Male NPTF 30°



6701 Cochran Road
Solon, Ohio 44139
Phone: (440) 248-1880
Toll Free: 1-888-331-1523

Temperature Rating	-325°F to 400°F	Material	CA37700 Brass	Industry Standards	SAE J514 , SAE J476	Series	2503-B
Pressure Rating	3300 psi	Finish	Natural Finish			Series Description	SAE J514 37° Flare 45° Male Elbow