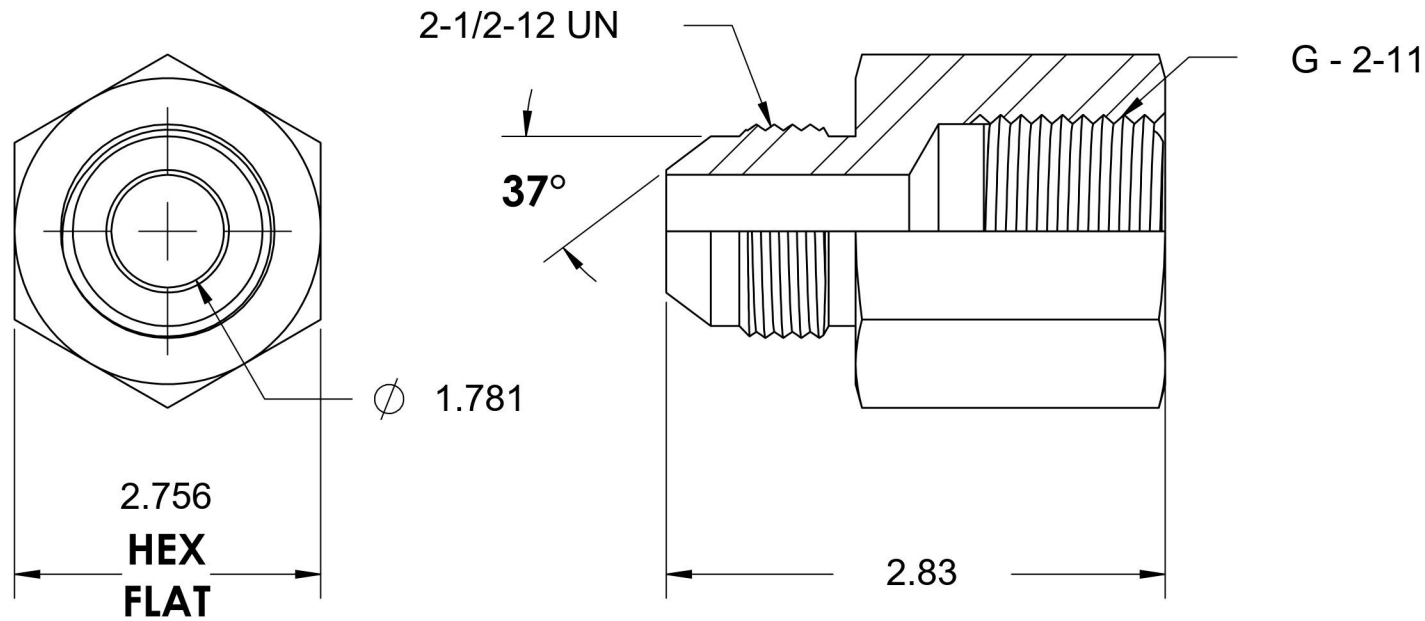
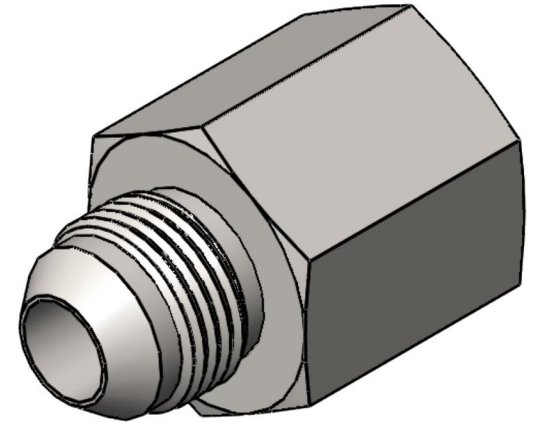


7003-32-32

Steel, SAE J514 37° Flare Female BSPP Port Adapter, 2" Male JIC x 2-11 Female BSPP



6701 Cochran Road
Solon, Ohio 44139
Phone: (440) 248-1880
Toll Free: 1-888-331-1523

Temperature Rating -65°F to 500°F	Material C1045/12L14 Steel	Industry Standards SAE J514, ISO 1179 ASTM B633	Series 7003
Pressure Rating 1500 psi	Finish Trivalent Zinc		Series Description SAE J514 37° Flare Female BSPP Port Adapter