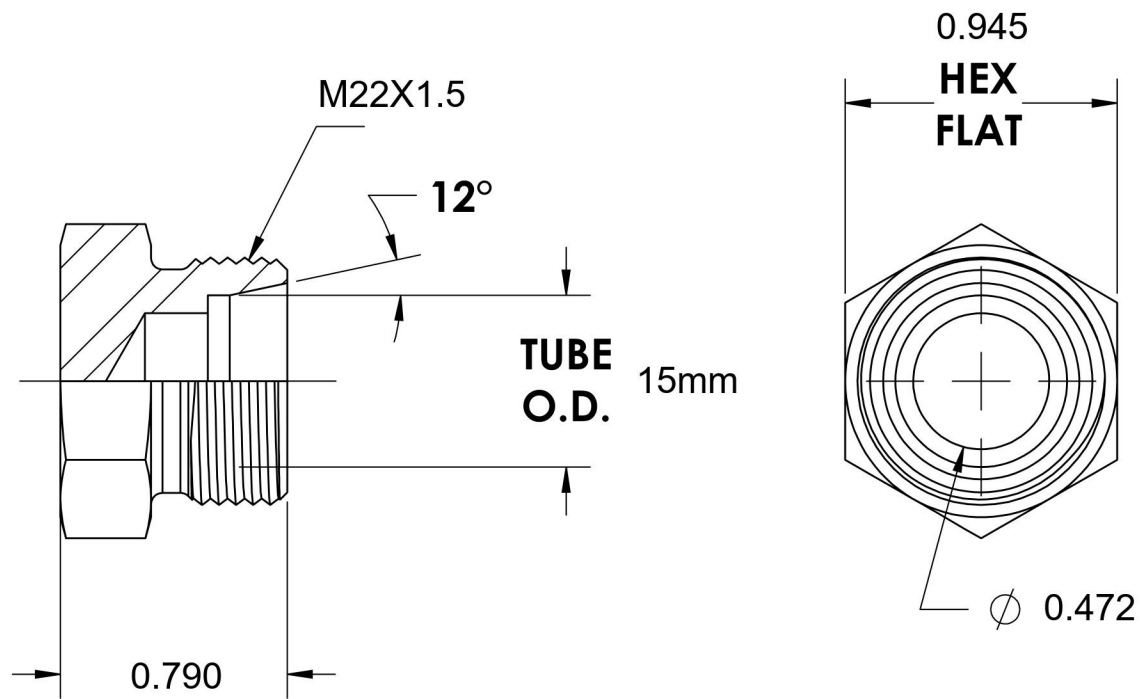
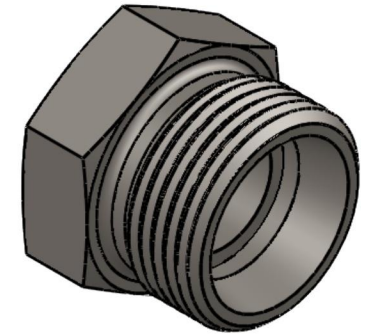


D2408-L15-X

Steel, DIN 2353 Plug, Light 15mm Tube OD, Body Only



6701 Cochran Road
Solon, Ohio 44139
Phone: (440) 248-1880
Toll Free: 1-888-331-1523

Temperature Rating

-65°F to 500°F

Material

C22 Steel

Industry Standards

DIN 2353, ISO 8434-1

Series

D2408-X

Pressure Rating

5802 psi

Finish

Zinc Nickel

Series Description

DIN 2353 Flareless
Tube Plug, Body Only