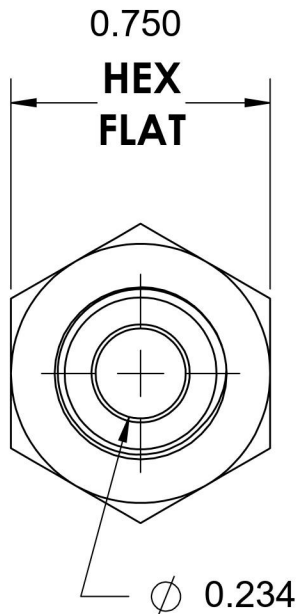
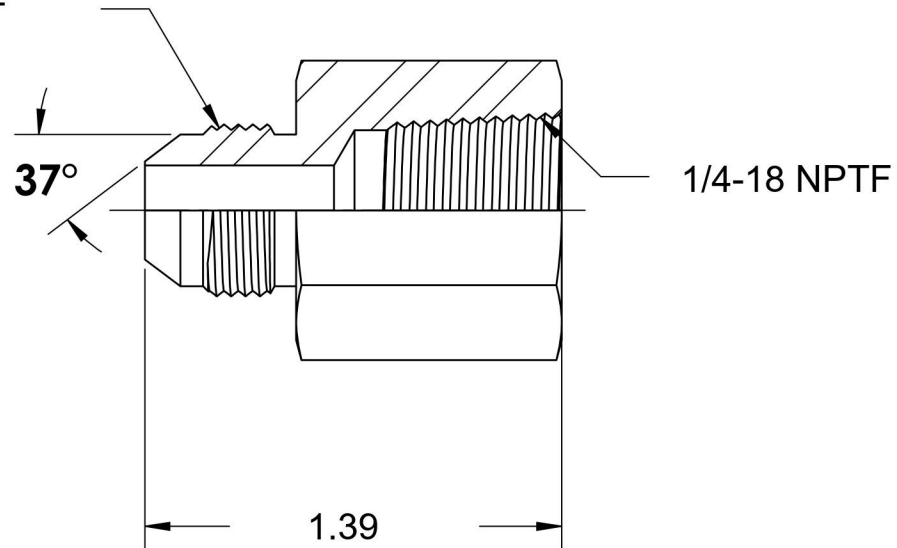


2405-05-04-SS

Stainless Steel, SAE J514 Flared Tube Female Connector, 5/16" Male JIC x 1/4" Female NPTF



1/2-20 UNF



6701 Cochran Road
Solon, Ohio 44139
Phone: (440) 248-1880
Toll Free: 1-888-331-1523

Temperature Rating	Material	Industry Standards	Series
-425°F to 1200°F	316/316L Stainless Steel	SAE J514 , SAE J476	2405-SS
Pressure Rating	Finish		Series Description
6600 psi	Passivated		SAE J514 Flared Tube Female Connector