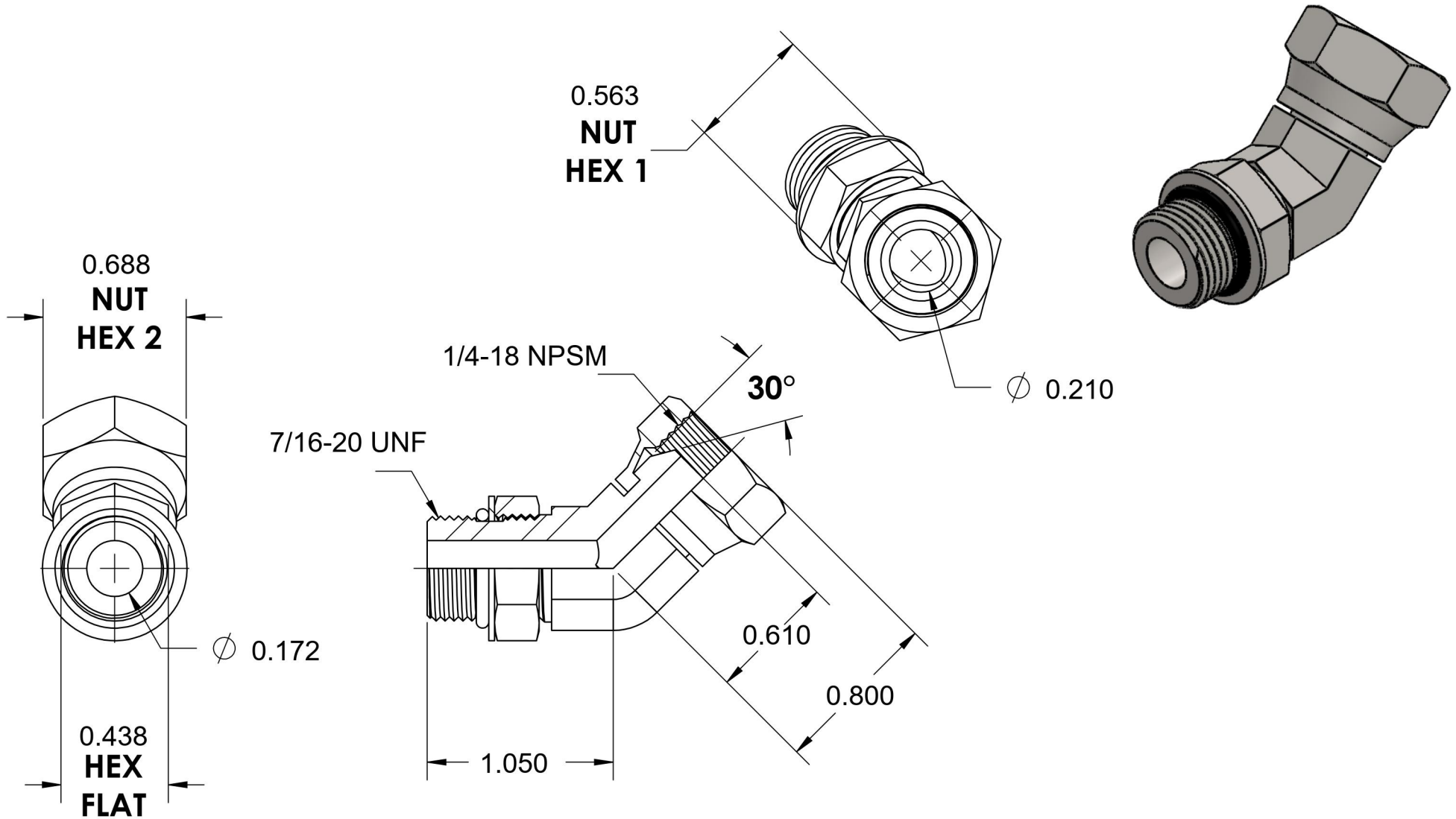


# 6902-04-04-NWO-SS

Stainless Steel, SAE J514 NPSM Swivel 45° Adjustable Port Elbow, 7/16-20 Male Adjustable ORB x 1/4" Female NPSM Swivel



6701 Cochran Road  
Solon, Ohio 44139  
Phone: (440) 248-1880  
Toll Free: 1-888-331-1523

**Temperature Rating**

-40°F to 250°F

**Pressure Rating**

6000psi

**Material**

316/316L Stainless Steel

**Finish**

Passivation

**Industry Standards**

SAE J514, SAE J1926-3  
SAE J515

**Series**

6902-NWO-FG

**Series Description**

SAE J514 NPSM Swivel 45° Adjustable Port Elbow