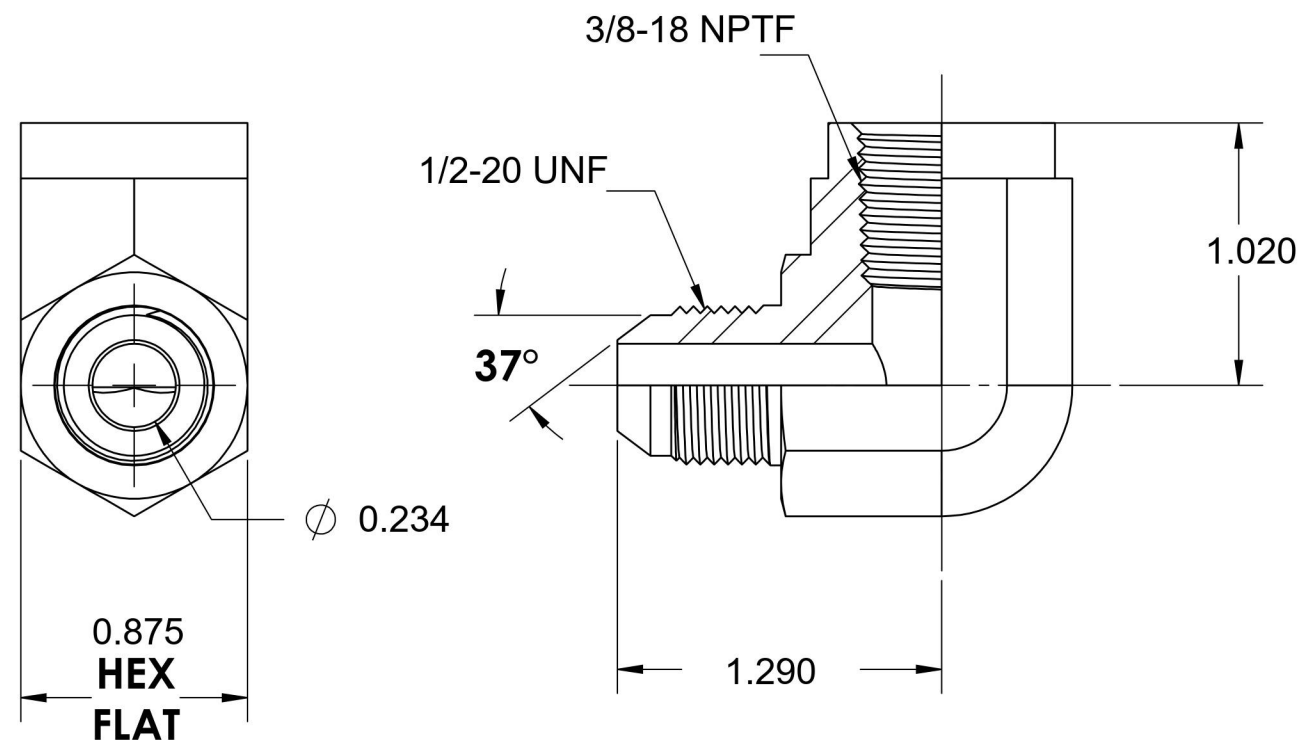


# 2502-05-06-FG

Steel, SAE J514 37° Flare 90° Female Elbow, 5/16" Male JIC x 3/8" Female NPTF



6701 Cochran Road  
Solon, Ohio 44139  
Phone: (440) 248-1880  
Toll Free: 1-888-331-1523

#### Temperature Rating

-65°F to 500°F

#### Pressure Rating

4500 psi

#### Material

C1045 Steel

#### Finish

Trivalent Zinc

#### Industry Standards

SAE J514 , SAE J476  
ASTM B633

#### Series

2502-FG

#### Series Description

SAE J514 37° Flare  
90° Female Elbow