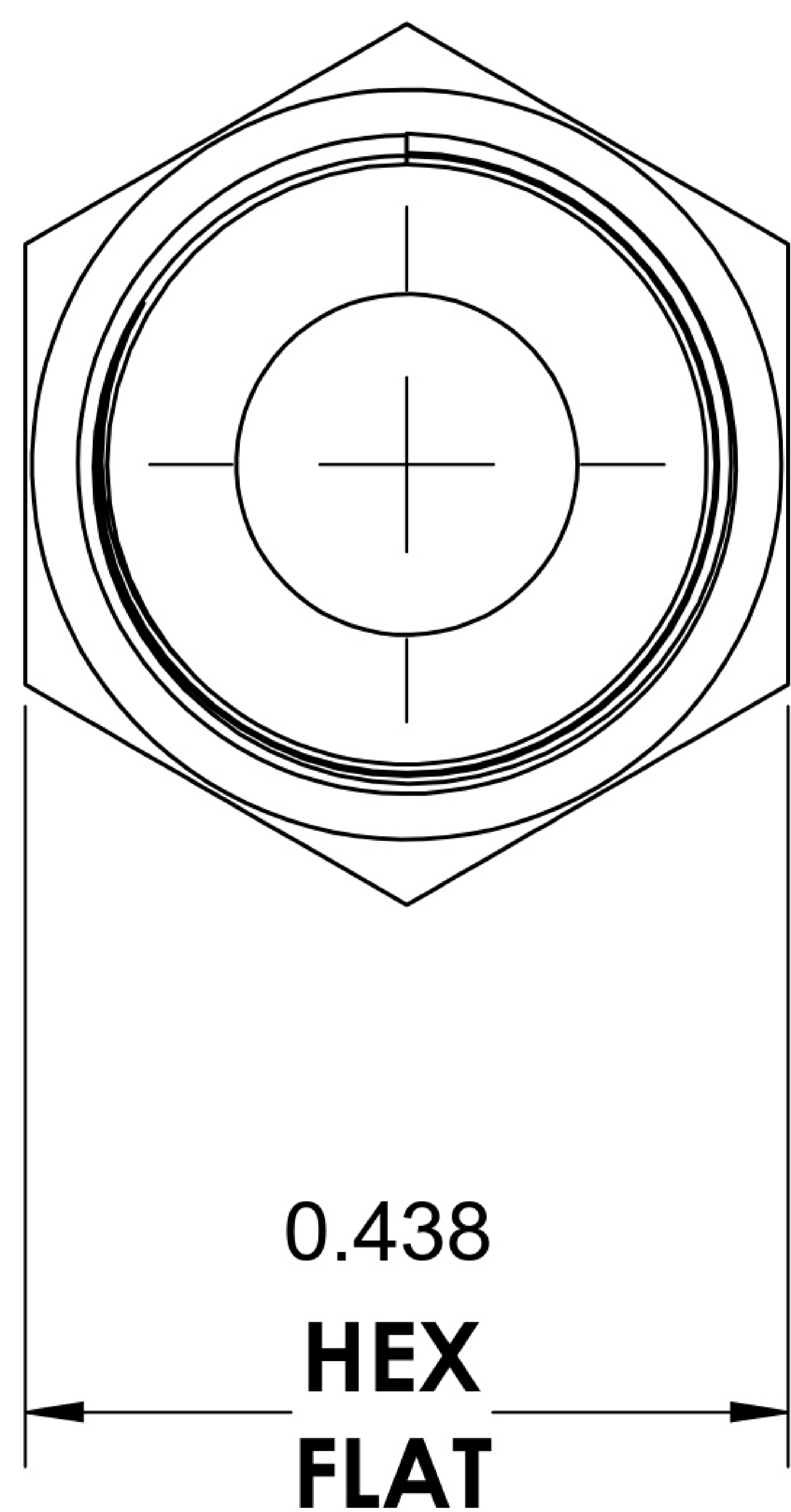
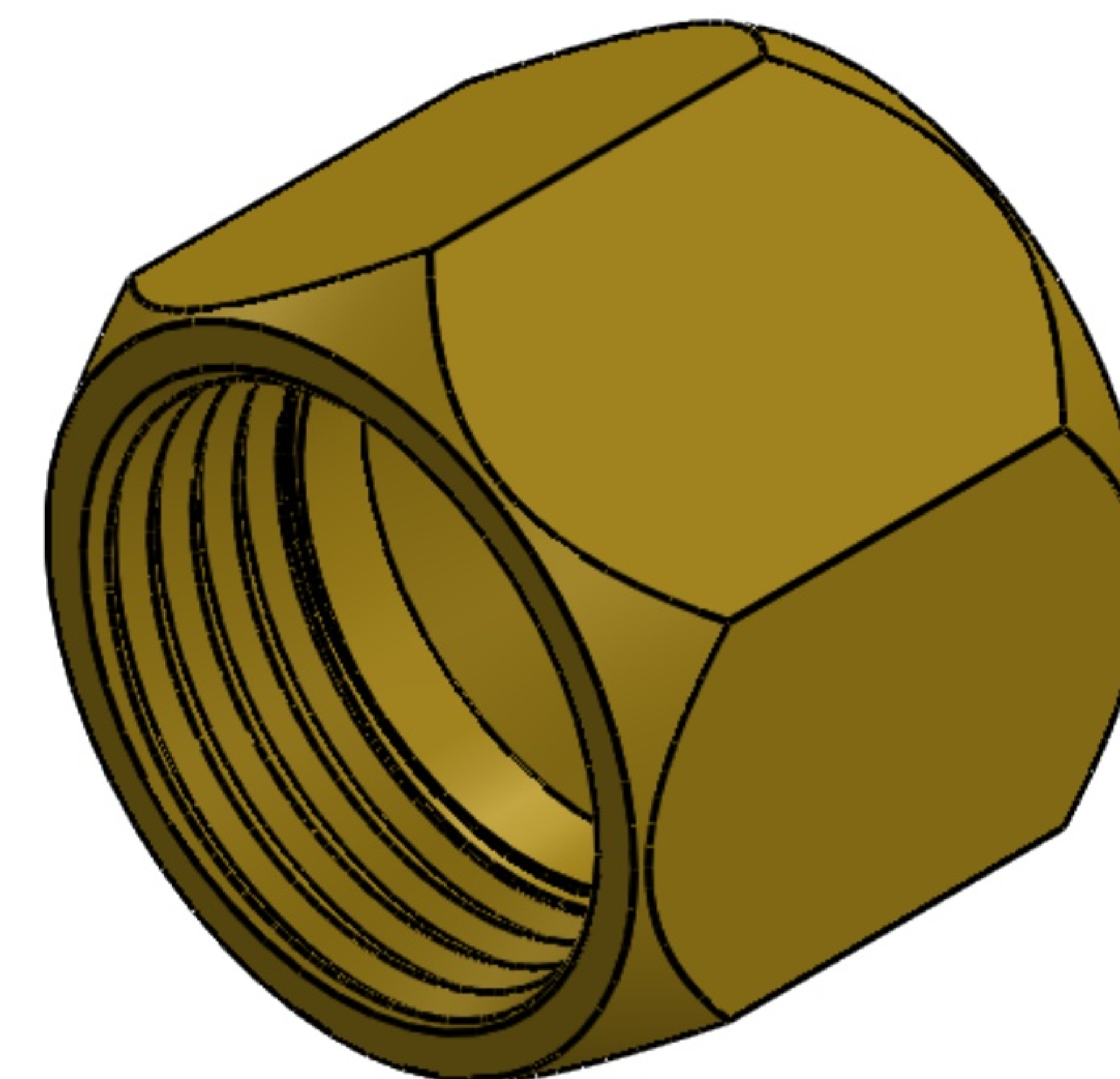
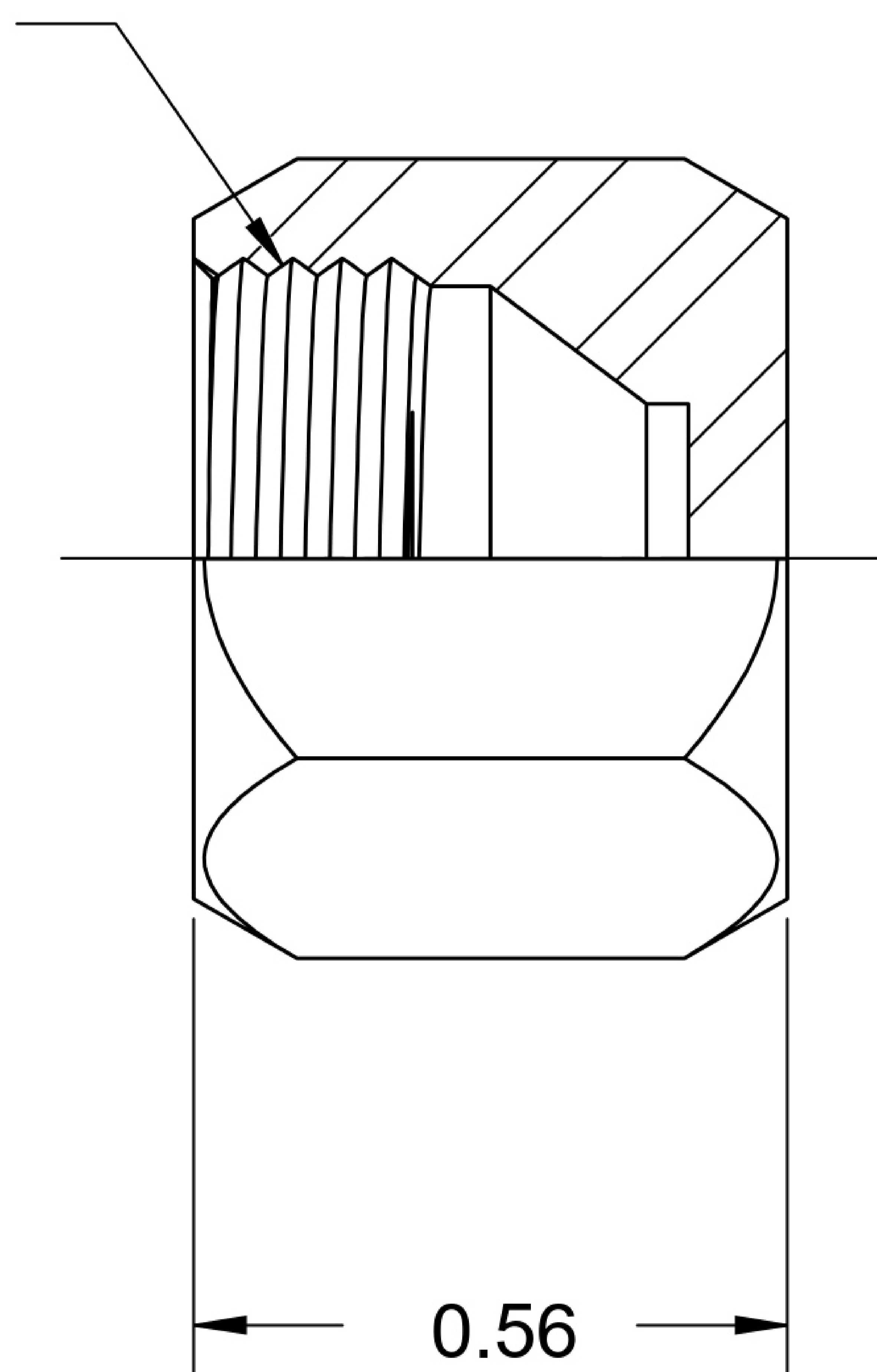


0304-C-03-B

Brass, SAE J514 37° Flare Tube Cap, 3/16" Female JIC



3/8-24 UNF



6701 Cochran Road
Solon, Ohio 44139
Phone: (440) 248-1880
Toll Free: 1-888-331-1523

Temperature Rating

-325°F to 400°F

Pressure Rating

3300 psi

Material

C36000 Brass

Finish

Natural Finish

Industry Standards

SAE J514

Series

0304-C-B

Series Description

SAE J514 37° Flare Tube Cap