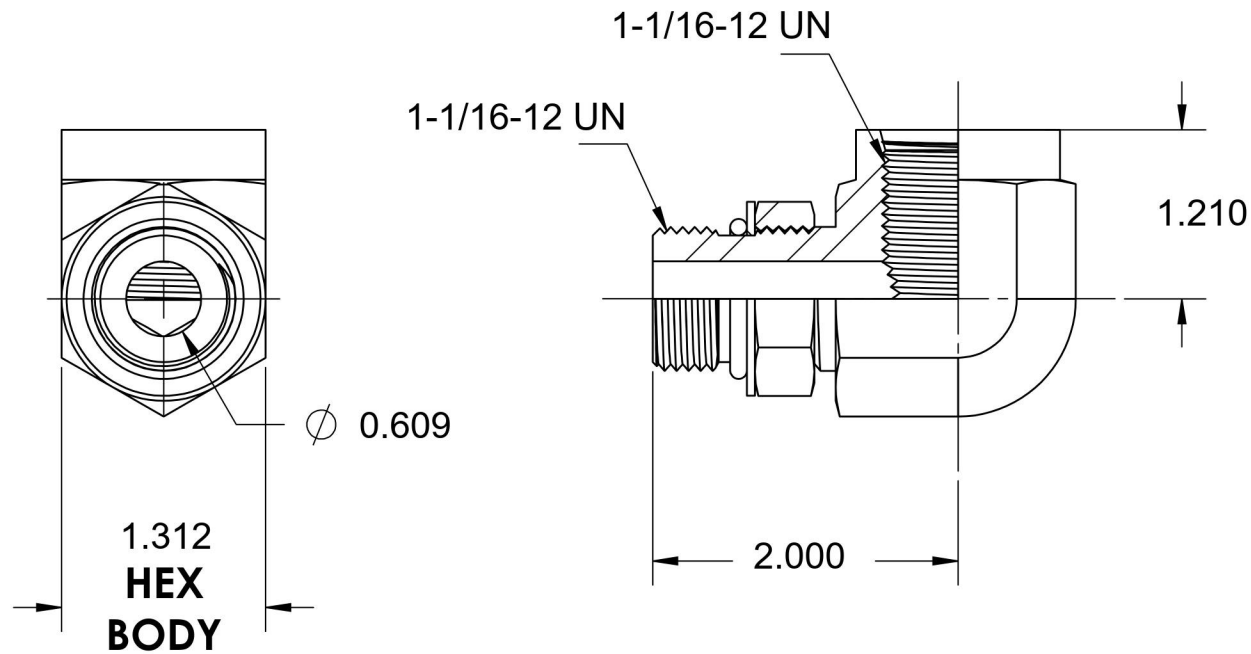
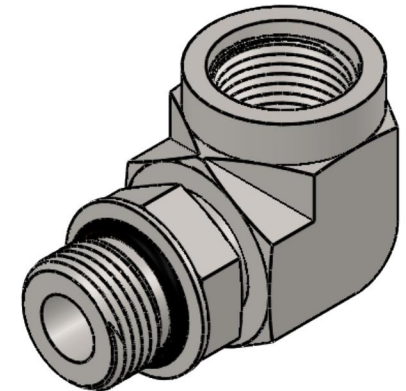
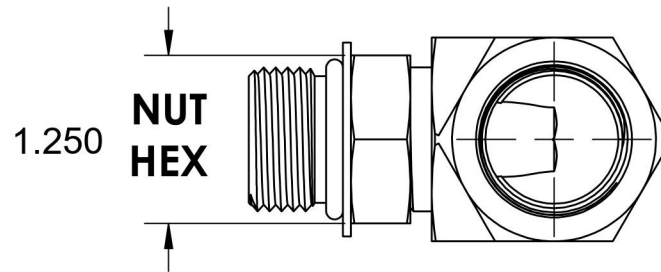


# 6815-12-12-NWO-SS

Stainless Steel, SAE J1926 Adjustable O-Ring Boss 90° Female Port Elbow, 1-1/16-12 Male Adjustable ORB x 1-1/16-12 Female ORB



6701 Cochran Road  
Solon, Ohio 44139  
Phone: (440) 248-1880  
Toll Free: 1-888-331-1523

<b>Temperature Rating</b>	<b>Material</b>	<b>Industry Standards</b>	<b>Series</b>
-40°F to 250°F	316/316L Stainless Steel	SAE J1926-1,-3, SAE J515	6815-NWO-SS
<b>Pressure Rating</b>	<b>Finish</b>		<b>Series Description</b>
2500 psi	Passivated		SAE J1926 Adjustable O-Ring Boss 90° Female Port Elbow