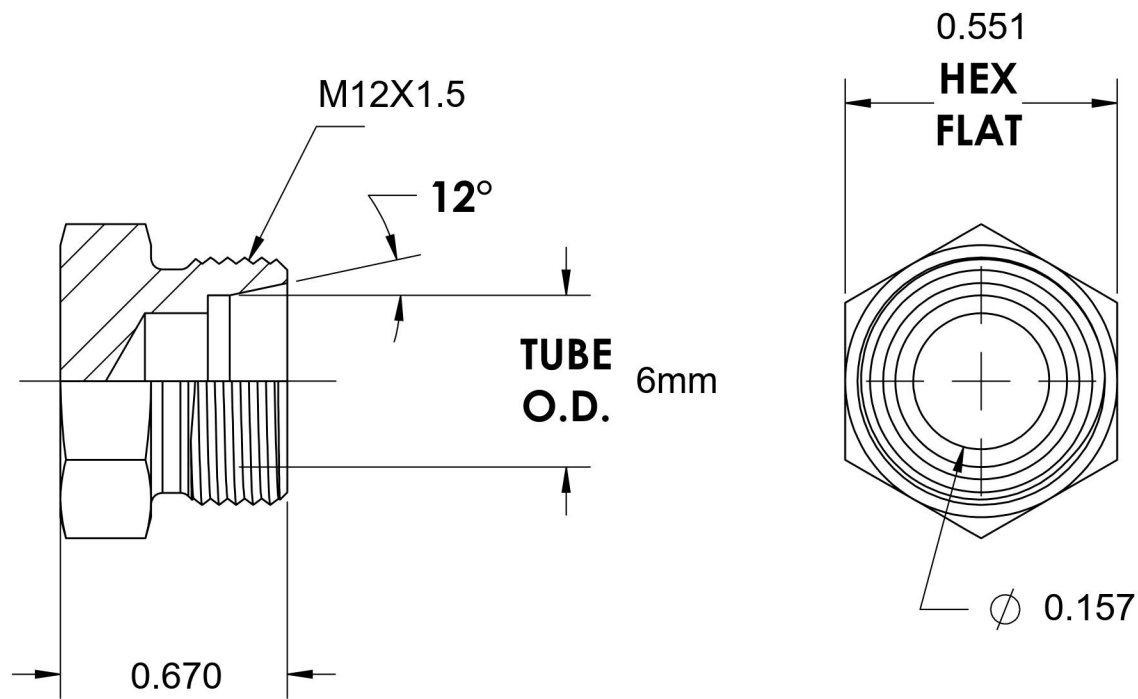
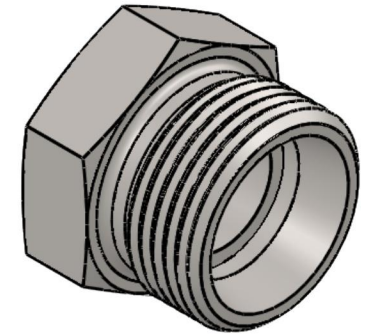


# D2408-L06-SS-X

Stainless Steel, DIN 2353 Plug, Light 6mm Tube OD, Body Only



6701 Cochran Road  
Solon, Ohio 44139  
Phone: (440) 248-1880  
Toll Free: 1-888-331-1523

**Temperature Rating**

-425°F to 1200°F

**Pressure Rating**

7252 psi

**Material**

316Ti Stainless Steel

**Finish**

Passivated

**Industry Standards**

DIN 2353, ISO 8434-1

**Series**

D2408-SS-X

**Series Description**

DIN 2353 Flareless  
Tube Plug, Body Only