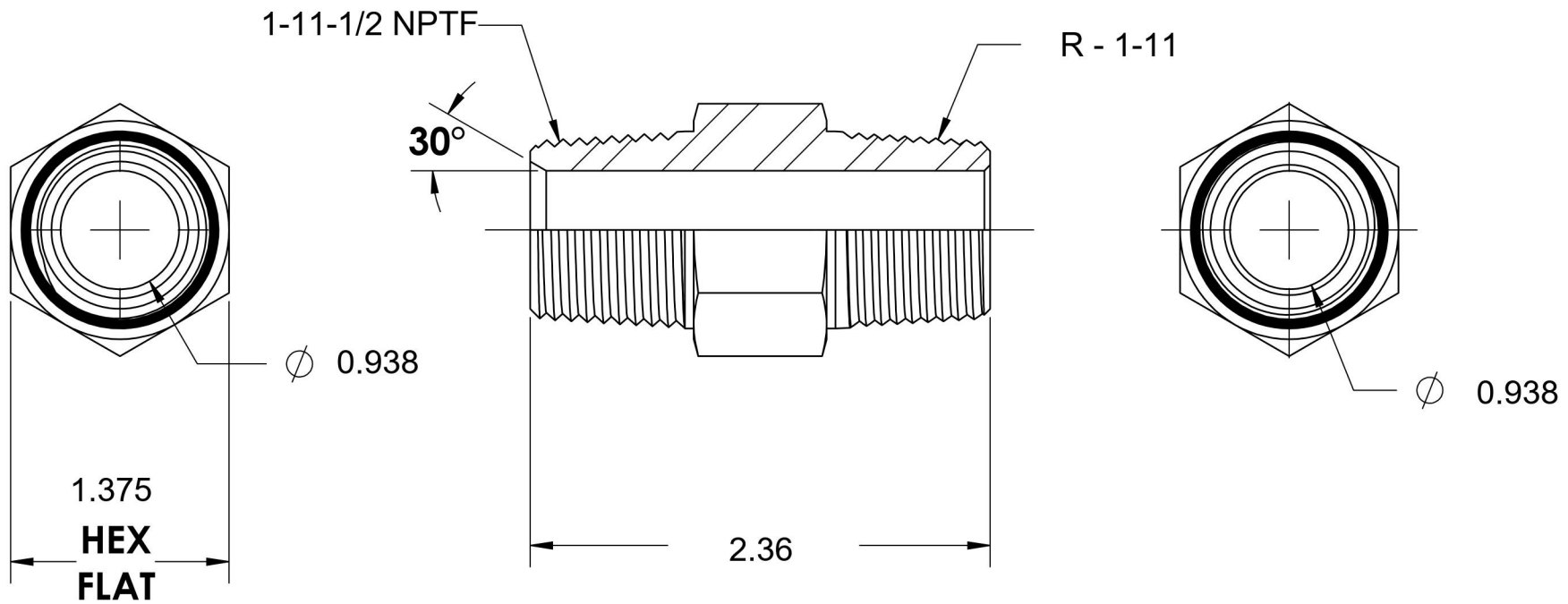
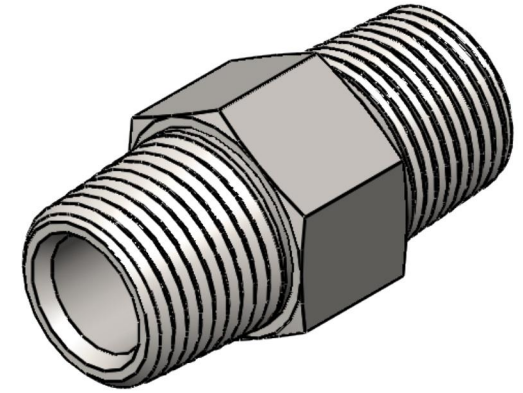


7030-16-16-SS

Stainless Steel, SAE J476 Pipe Male BSPT Nipple, 1" Male NPTF 30° x 1" Male BSPT



6701 Cochran Road
Solon, Ohio 44139
Phone: (440) 248-1880
Toll Free: 1-888-331-1523

Temperature Rating	Material	Industry Standards SAE J476, ISO 7-1	Series
-425°F to 1200°F	316/316L Stainless Steel		7030-SS
Pressure Rating	Finish		Series Description
4500 psi	Passivated		SAE J476 Pipe Male BSPT Nipple