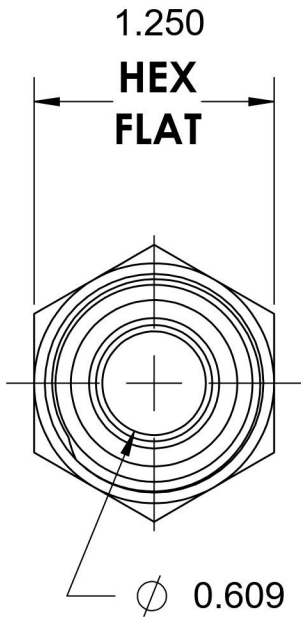
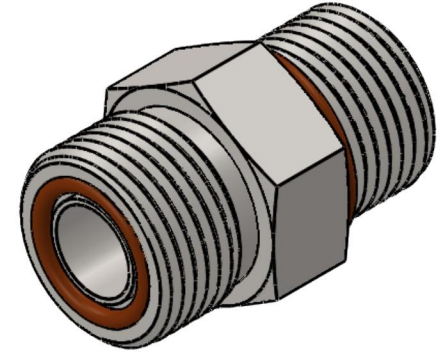
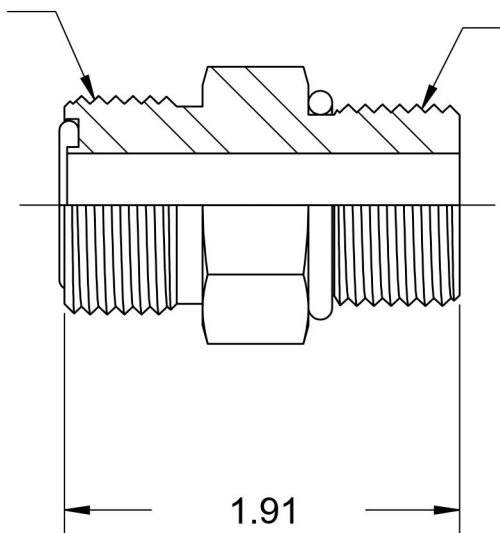


FS6400-12-08-O-SS-VITON

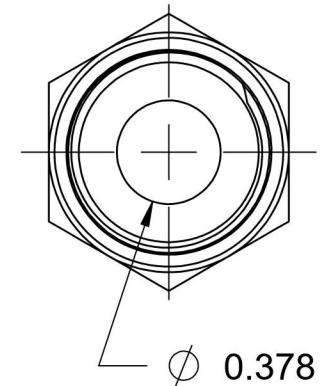
Stainless Steel, SAE J1453 O-Ring Face Seal Port Connector, 3/4" Male ORFS x 3/4-16 Male ORB, FKM Seal



1-3/16-12 UN



3/4-16 UNF



6701 Cochran Road
Solon, Ohio 44139
Phone: (440) 248-1880
Toll Free: 1-888-331-1523

Temperature Rating	Material	Industry Standards	Series
-15°F to 400°F	316/316L Stainless Steel	SAE J1453, SAE J1926-2	FS6400-O-SS-VITON
Pressure Rating	Finish		Series Description
6000 psi	Passivated		SAE J1453 O-Ring Face Seal Port Connector