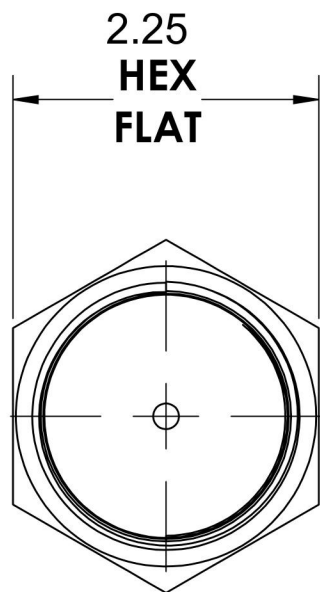
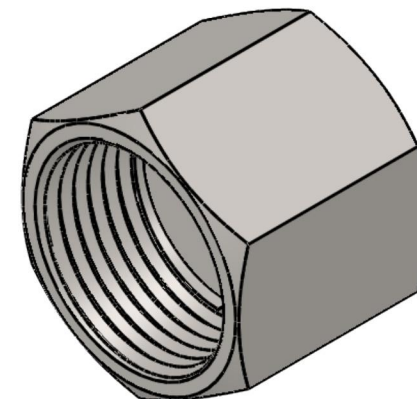
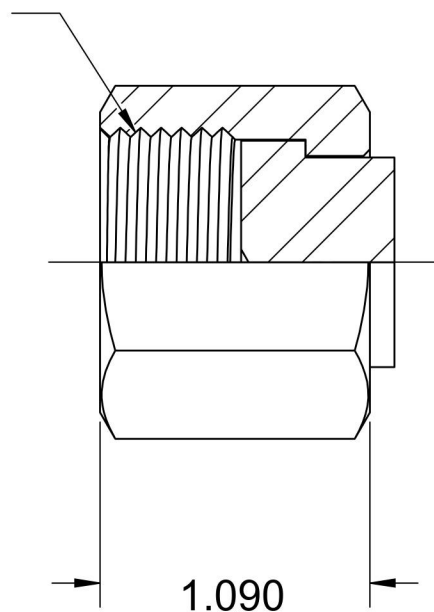


# FS0304-C-24

Steel, SAE J1453 O-Ring Face Seal Cap, 1-1/2" ORFS Cap



2-12 UNF



6701 Cochran Road  
Solon, Ohio 44139  
Phone: (440) 248-1880  
Toll Free: 1-888-331-1523

**Temperature Rating**

-65°F to 500°F

**Pressure Rating**

5000 psi

**Material**

C1045/12L14 Steel

**Finish**

Trivalent Zinc

**Industry Standards**

SAE J1453, ASTM B633

**Series**

FS0304-C

**Series Description**

SAE J1453 O-Ring Face Seal Cap